



# JUNG

## Operating instructions

### **JUNG HOME Gateway**

Art.-Nr. BTSGATEWAY

Art.-Nr. BTSGATEWAY-INT



### **ALBRECHT JUNG GMBH & CO. KG**

Volmestraße 1  
58579 Schalksmühle  
GERMANY

Telefon: +49 2355 806-0  
Telefax: +49 2355 806-204  
kundencenter@jung.de  
www.jung.de

09.04.2024  
0024075600

Table of contents

**Safety instructions** .....2

**Device components**.....2

    LED display .....3

**Function** .....3

    Intended use .....3

    Product characteristics .....3

**Connection and commissioning** .....3

    Connecting the device.....3

    Commissioning via the app (Fig. 4).....4

    Setting up MY JUNG Service .....5

    Establishing a network connection with a static IP address .....5

    Resetting the network settings .....6

    Performing an update.....6

**Mounting** .....6

    Notes on the installation location .....6

    As a wall-mounted device .....6

    Mounting the gateway on a DIN rail (Fig. 5).....6

**Resetting the device to its factory setting (Fig. 6)** .....7

**Technical data**.....8

**Parameters** .....8

**Accessories** .....8

**Conformity** .....9

**Warranty** .....9

## Operating instructions

### Safety instructions

Please read and follow manual fully, and keep it for future use.

Only use the power supply included in delivery.

Only operate the gateway with the lid closed.

Connect the gateway with a network cable of Cat6 or higher, and with a maximum length of 3 m.

The device is not suitable for safety or alarm applications.

### Device components

See figures 1 – 3

- (1) Prog./Reset button
- (2) Network status LED
- (3) Bluetooth status LED
- (4) Cloud status LED
- (5) Housing lid
- (6) Housing lid release
- (7) Screw holes for mounting adapter for rail mounting
- (8) Openings for wall mounting
- (9) Recesses for housing feet
- (10) USB connection port (power supply)
- (11) LAN connection port (router)

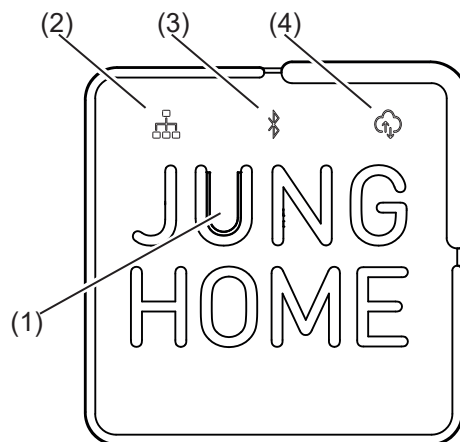


Figure 1: Operating elements

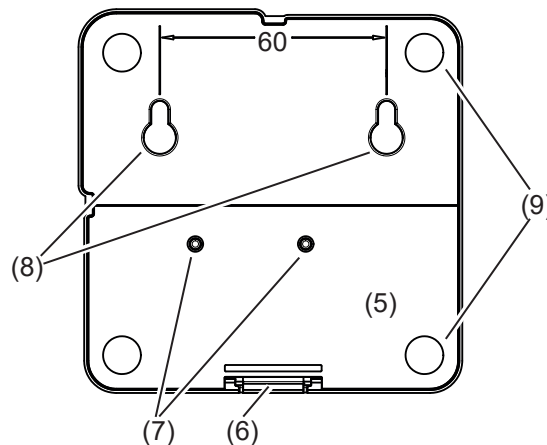


Figure 2: Rear view

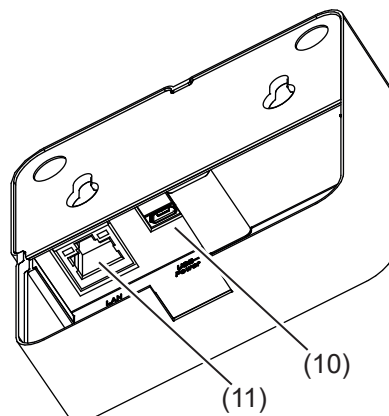


Figure 3: Connection compartment

### LED display

LED signalling	Network status LED	Bluetooth status LED	Cloud status LED
ON	Network connection OK	Bluetooth connection OK	Cloud connection OK
Flashing slowly (once/s)	Establishing network connection	Pairing mode active (for 20 min)	Establishing the Cloud connection
Flashing quickly (4 times/s)	Connection error / general error	Bluetooth error	Connection error
Two slow flashes (twice/s - pause)	Device update		

### Function

#### Intended use

- Connecting JUNG HOME devices to MyJUNG services e.g. for voice control
- Enables other Smart Home systems in the local network to access JUNG HOME devices
- Only suitable for use in indoor areas that are free of dripping and splashing water

#### Product characteristics

- Commissioning and operation using JUNG HOME app with mobile device (smartphone or tablet) via Bluetooth®
- Bluetooth® SIG Mesh for fully encrypted wireless communication and repeater function
- Encrypted communication via myJUNG services e.g. with services from Alexa, Google Home
- 3 status LEDs for commissioning and operation support
- Button for commissioning and for factory reset
- RJ45 socket and included LAN cable for connecting to WLAN router
- Can be updated using JUNG HOME app
- For wall installation or as desktop device (top-hat rail mounting with separately available adapter for rail mounting)
- Encrypted communication with local network e.g. with wibutler gateway

### Connection and commissioning



#### NOTE

If an older software version is present in the device, an update is first loaded during commissioning. This can take up to 15 minutes.

#### Connecting the device

The connections are located under the lid on the back of the device.

A network connection (LAN) to a router is required for operation. Maintain a distance of at least 50 cm from the router.

Only use the power supply included in delivery.

- To open the lid, press the release (6) and remove the lid (5).

The connections (10), (11) are accessible.

- Plug the network cable that is included in delivery into the network port (11) and into the LAN port of the router.

For commissioning, it is necessary that the router assigns its network addresses automatically ("Automatic" or "DHCP" setting). For subsequent operation without DHCP, see establishing a network connection with a static IP address.

- Insert the USB plug of the power supply into the connection port (10) and connect the power supply to the mains.

The network connection is established automatically. If the network status LED (2) is continuously lit, the device is connected.

If the network status LED flashes twice slowly (see LED display), a software update is being loaded (duration approx. 15 min).

Ready status:

The Bluetooth LED (3) flashes slowly. The device is in pairing mode and can be found on the app. If Bluetooth pairing does not take place, the LED goes out after approx. 20 minutes.

#### Commissioning via the app (Fig. 4)

Requirement: The JUNG HOME app is installed on the mobile end device and Bluetooth is activated.

The JUNG HOME device does not yet belong to a BT mesh network. If this is not the case, reset the device to the factory setting.

- i** To use the JUNG HOME app, a mobile end device with a Bluetooth interface (4.2 or higher) with the operating system iOS 14 or Android 8 or higher is required.
- i** If possible, pair the gateway as the last JUNG HOME device in a project so that all other JUNG HOME devices can be displayed for use in services right away.
- i** After the device is reconnected to the power supply, it is in pairing mode for 20 minutes.
- Activate pairing mode manually: Press button (1) for longer than 4 seconds.  
The Bluetooth LED flashes slowly. Pairing mode is active for 20 minutes.
- Start the JUNG HOME app and add the device to a new or existing project.  
The Bluetooth LED (3) lights up to confirm that pairing has been successful.  
If the LED flashes very quickly, pairing has failed and must be repeated.
- i** Once the devices are paired, parameters can be set on the JUNG HOME app (see parameter list), devices can be linked wirelessly and operation can be configured.

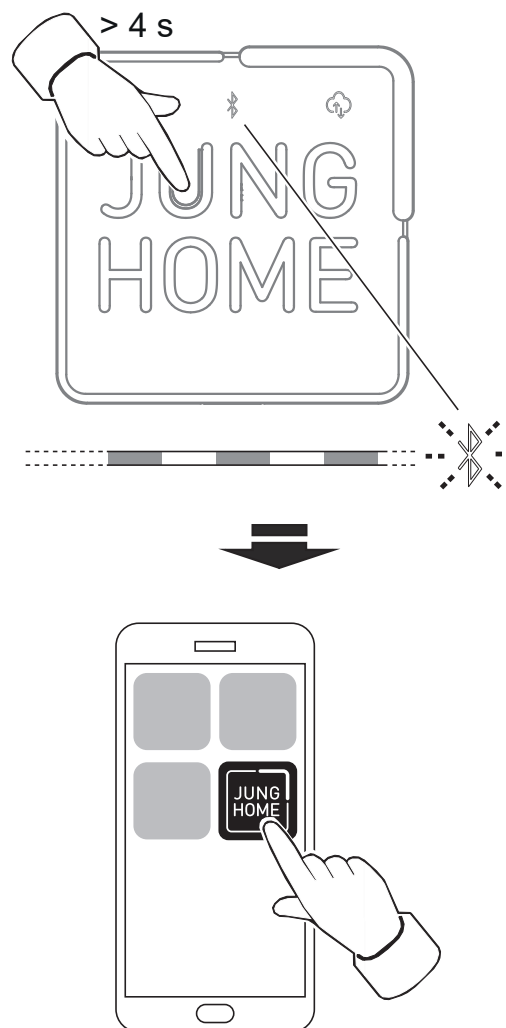


Figure 4: Commissioning via app

### Setting up MY JUNG Service

Requirement: To use services (e.g. Amazon Alexa or Google Home), an Internet connection and a my-JUNG account are required.

- On the app, link the gateway to a myJUNG account using the user data.  
The Cloud LED (4) lights up. The gateway allows you to use Cloud services.
- Configure functions on the service provider's app (e.g. Alexa app or Google Home app).

**i** Information about configuring the services that are available can be found at [www.jung.de/JUNGHome](http://www.jung.de/JUNGHome).

### Establishing a network connection with a static IP address

If you wish to establish a network connection with a static IP address (not recommended), you should have a basic understanding of network technology.

Requirement: A network connection has been established

- Assign the device a static IP address, subnet mask, name server (DNS server) and the default gateway of the network used via the JUNG HOME app.

**i** If the device is no longer accessible via the network after this, then the configuration is faulty. Resetting the network settings automatically establishes a network connection via DHCP.

### Resetting the network settings

- Press button (1) for longer than 10 seconds until the network status LED (2) flashes slowly.
  - Release button (1) and briefly press again within 10 seconds.  
The network status LED flashes more slowly for approx. 5 seconds. Manual network configurations are deleted, the network connection is re-established via DHCP.
- i** After resetting the network settings, the network connection can be restarted without DHCP.

### Performing an update

In case of service, it is possible to update the device software without being connected to the app. However, a network connection is required.

- Press the button (1) 5 times briefly.  
The network status LED (2) flashes slowly twice. The update is being carried out.

## Mounting

### Notes on the installation location

The communication of the JUNG HOME devices and linked mobile end devices takes place wirelessly within the range of the Bluetooth mesh network.

The range of wireless signals can be influenced by:

- The number, thickness, position of ceilings, walls and other objects.
- The type of material of these objects
- high-frequency interfering signals

To maximise the range for the installation location, consider:

- Keep the number of ceilings and walls between JUNG HOME devices as low as possible.
- Select the connection line between JUNG HOME devices so that it runs as directly as possible through walls and not at acute angles.
- Select the connection line between JUNG HOME devices so that the signal does not have to penetrate any interfering building materials and objects (concrete, glass, metal, insulated walls, liquids (e.g. aquariums), mirrors and bookcases).
- Keep at least 1 m away from devices that emit high-frequency signals (microwave ovens, motors, etc.) and other radio services (WLAN, baby monitors, etc.) that operate at 2.4 GHz.

### As a wall-mounted device

- i** When deciding where to mount the device and when drilling holes, make sure that switches, sockets, gas and water pipes in the vicinity are not damaged.
- i** Screws and dowels for wall mounting are not included in delivery. Use fastening materials that are suitable for the desired mounting location.  
Recommendation: Use 3 mm fillister head screws, head diameter approx. 7 mm.
- Fit two screws horizontally at the mounting location spaced 60 mm apart.
  - Slip the openings (8) of the gateway onto the screws from above.

### Mounting the gateway on a DIN rail (Fig. 5)

To mount the gateway on a DIN rail for use in distribution cabinets, a mounting adapter can be purchased from your specialist retailer.

- Screw the adapter to the housing lid using the screws included in delivery as shown in figure 4.
- Clip the mounting adapter with gateway onto the DIN rail.

**i** The gateway is released by pulling the release tab (12) downwards with a flat-bladed screwdriver.

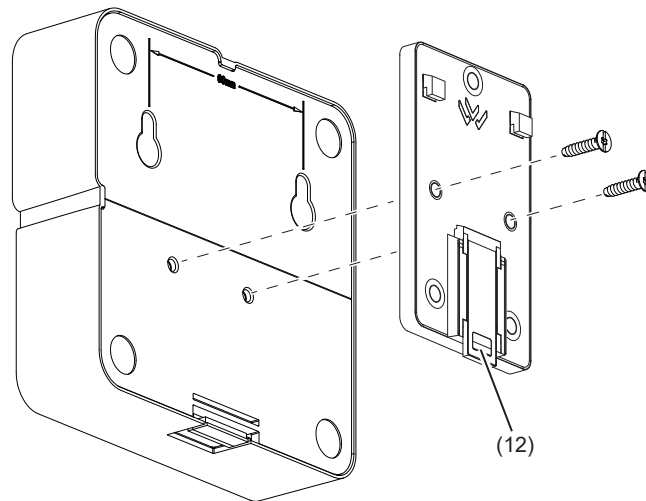


Image 5: Mounting adapter for rail mounting

**Resetting the device to its factory setting (Fig. 6)**

- Press button (1) for longer than 20 seconds until the network status LED (2) flashes quickly.
  - Release button (1) and press it briefly once again within 10 seconds.
- The network status LED flashes more slowly for approx. 5 seconds, the device is reset to its factory setting.

**i** The device must be removed from the app after it has been reset to its factory setting.

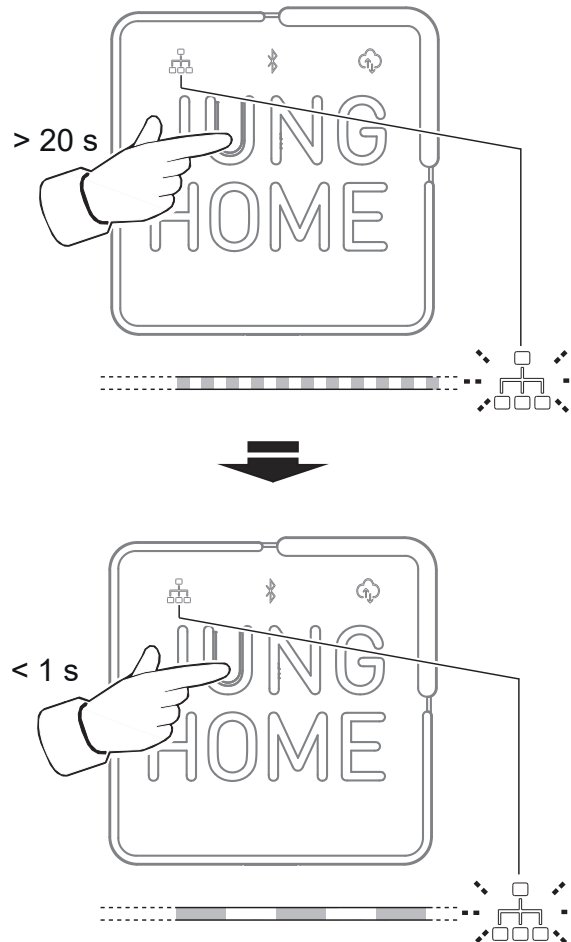


Image 6: Resetting the device to its factory setting

## Technical data

### Gateway

Power consumption stand-by:	< 2 W
Dimensions	approx. 102 x 102 x 28 mm (L x W x H)
Operating temperature:	-5°C...+45°C
Storage/transport temperature:	-20°C...+70°C
Protection level:	IP20
Radio frequency	2.402 ... 2.480 GHz
Transmission range: (within building)	typically 30 m
Transmitting power	10 dBm / 10 mW, class 1.5
LAN connection	1 x 10/100/1000 Mbit/s

### Power supply adapter

Supply voltage	AC 230 V, 50/60 HZ
Output voltage	5V SELV
Plug:	Micro USB-B

## Parameters

The parameter view can be accessed via **Settings - My JUNG HOME - Gateway**

Parameters		Setting options, Factory setting	Explanations
Area	Name		
System	Synchronise JUNG HOME	On Off	On: Synchronises the project status of the connected end devices/users.
	Share project file		Übergibt die aktuelle Projektdatei an das Gateway
Network	DHCP	On Off <i>Factory setting: On</i>	If On, the router automatically assigns its network addresses/settings to the gateway. If Off, manual configuration is required. The parameters for manual configuration (following) can be edited.
	IP-Adress	Manual input of the parameters	The parameters can only be edited if DHCP = Off.
	Subnet mask	<i>Factory setting (with DHCP = On): Display of the automatically obtained parameters</i>	A static network connection is established by entering the parameters.
	DNS configuration		To configure the network manually, you should have a basic knowledge of network technology.
	MAC adress		
Specifications	Software version	–	Display the corresponding specifications
	Build number	–	
	Serial number	–	
Cloud	Connect	–	A connection to the My JUNG Cloud is established by entering the email address and password.
	Disconnect	–	Disconnect the connection to the MyJUNG Cloud
	Unregister Gateway	–	Attention: When logging out, the device is irrevocably deleted from the My JUNG Cloud.

## Accessories

Mounting adapter for rail mounting

MA-REG

---

### **Conformity**

Albrecht Jung GmbH & Co. KG hereby declares that the radio system type art. no. BTSGATEWAY and BTSGATEWAY-INT meets the directive 2014/53/EU. You can find the full article number on the device. The complete text of the EU Declaration of Conformity is available under the Internet address: [www.jung.de/ce](http://www.jung.de/ce)

### **Warranty**

The warranty is provided by the specialist retailer in accordance with the statutory provisions.