

JUNG HOME gateway



Reference number:	BT S GATEWAY
EAN/GTIN:	4011377202818

including power supply
including LAN cable

Intended use

- Connecting JUNG HOME devices to myJUNG services, e.g. for voice control
- Connecting JUNG HOME devices to other smart home systems via the local network
- Only suitable for use in indoor areas that are free of dripping and splashing water
- For wall installation or as desktop device (top-hat rail mounting with separately available adapter for rail mounting, ref.-no.: MA-REG)

Product characteristics

- Commissioning and operation using JUNG HOME app with mobile device (smartphone or tablet) via Bluetooth®
- Bluetooth® Mesh for fully encrypted wireless communication and repeater function
- Encrypted communication via myJUNG services e.g. with services from Alexa, Google Home
- 3 status LEDs for commissioning and operation support
- Button for commissioning and for factory reset
- RJ45 socket and included LAN cable for connecting to WLAN router
- Can be updated using JUNG HOME app
- Encrypted communication with local network e.g. with Smart Visu Server (requirement: JUNG HOME gateway from version 1.3.1 and SV-SERVER2 from version 1.2.1850), wibutler pro 2 and Mediola gateway

The gateway has been awarded the "Smart Home - Information Security Tested" certificate by the VDE Institute.

Accessories:

mounting adapter for DIN rail ref.-no.: MA-REG

Technical data

Gateway

Power consumption stand-by:	< 2 W
Dimensions (L x W x H):	102 x 102 x 28 mm
Operating temperature:	-5 ... +45 °C
Storage/transport temperature:	-20 ... +70 °C
Degree of protection:	IP20
Radio frequency:	2402.0 ... 2480.0 MHz
Transmission range	
Transmission range in buildings:	approx. 30 m
Transmitting power:	10 dBm / 10 mW, class 1.5
LAN:	1 x 10/100/1000 Mbit/s

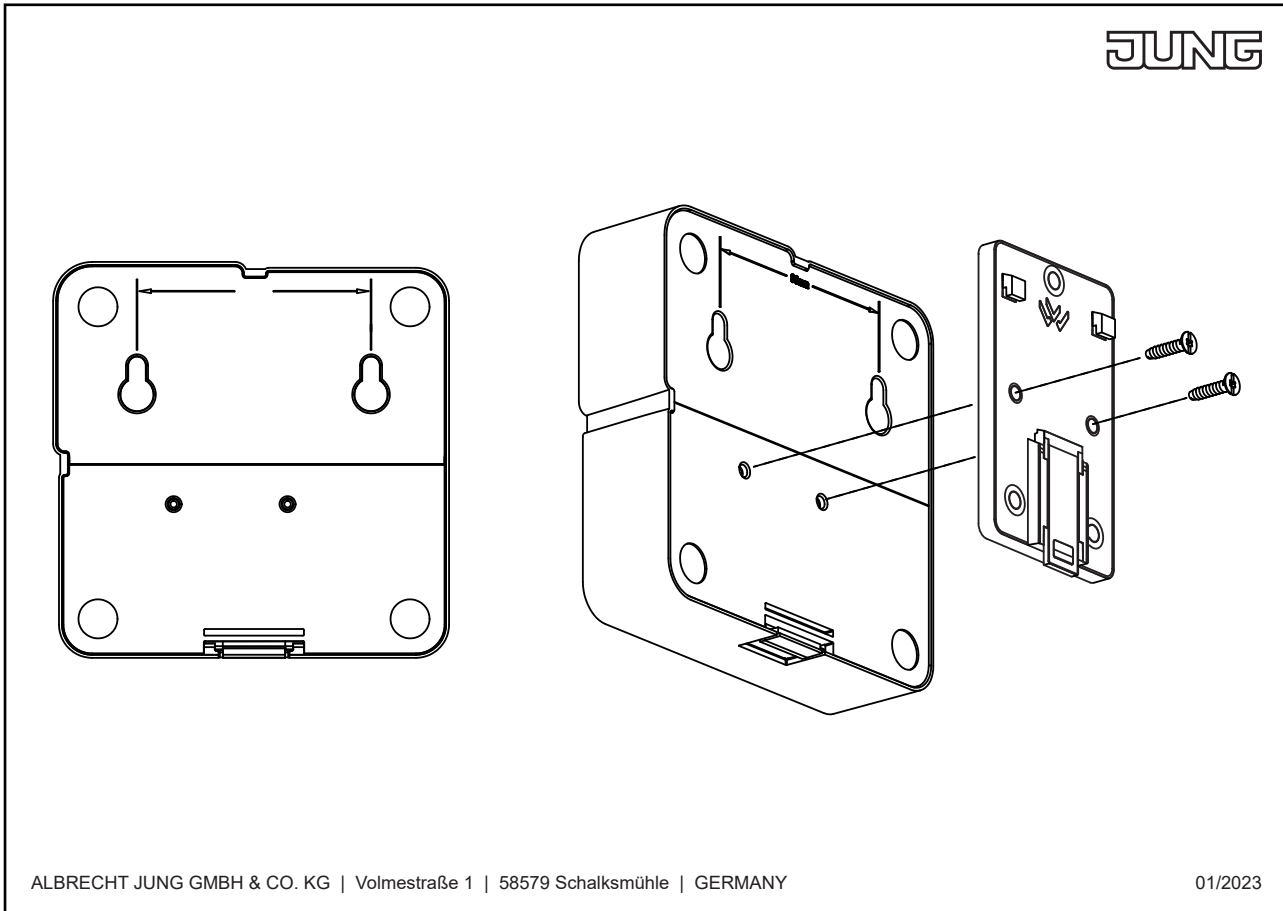
Power supply

Rated voltage:	AC 230 V ~
Mains frequency:	50/60 Hz
Output voltage:	5 V SELV
Connection USB:	Micro USB-B

Dimensions



Assembly



ALBRECHT JUNG GMBH & CO. KG | Volmestraße 1 | 58579 Schalksmühle | GERMANY

01/2023