

theMura P180 KNX UP WH

Item no.: 2069655

theben

Presence and motion detectors
Wall installation indoor

Description

- Passive infrared presence detector for wall mounting flush-mounted
- Rectangular detection area 170°, 14 x 17 m (238 m²) at 1.2 m mounting height
- 2 channels light and 2 channels HVAC
- Switching or constant light control with stand-by functionality (orientation light)
- Dimmable lighting in switching mode with and without daylight influence
- Simple adjustment of brightness measurement
- Short-time presence
- Selectable control speed
- Aura function
- Scene functionality
- Integrated orientation light (white)
- Integrated temperature sensor
- Acoustic function
- 2 binary inputs
- 6 logic channels (AND, OR, XOR)
- KNX Data-Secure
- Operation as fully or semi-automatic possible
- Integrated, freely parameterisable push-button (can be deactivated)
- Manual override via external KNX push-button possible
- One directional brightness measurement (mixed light measurement)
- Teach-in function
- Locking functions
- HVAC channel without brightness influence
- Switch-on delay and follow-up time of HVAC channel adjustable
- Extension of the detection range by master/slave or master/master switching
- Detection sensitivity adjustable
- Test mode for checking function and detection range
- Settings via ETS software (full range of functions)
- Limited setting options with app/universal remote control theSenda B
- Limited setting possibilities with service remote control theSenda P
- With Theben cover frame



Technical data

theMura P180 KNX UP WH	
Measuring range brightness	5 - 3000 lx
Installation type	Wall installation
Light switch-off delay	30 s - 60 min

theMura P180 KNX UP WH	
Light measurement	Mixed light measurement
Presence switch-off delay	10 s - 120 min
Ambient temperature	-15°C ... 45°C

Subject to technical changes and misprints

additional information at: www.theben.de/product/2069655

The load data are determined with exemplary selected illuminants and are therefore typical data due to the large number of available products.

theMura P180 KNX UP WH

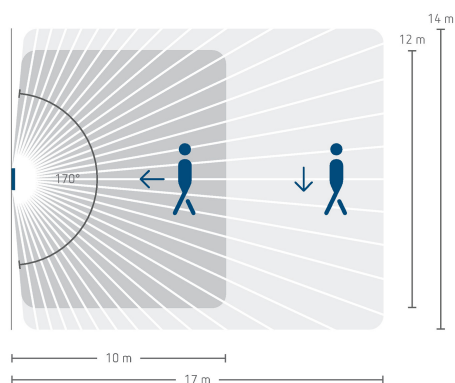
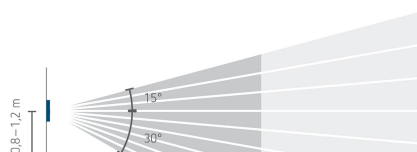
Item no.: 2069655

theben

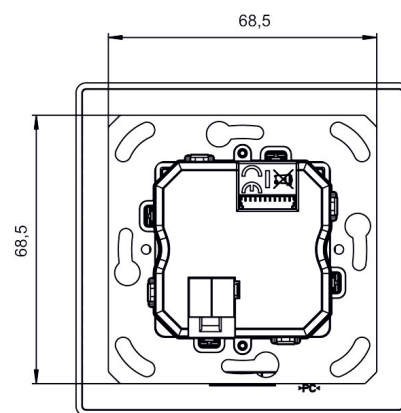
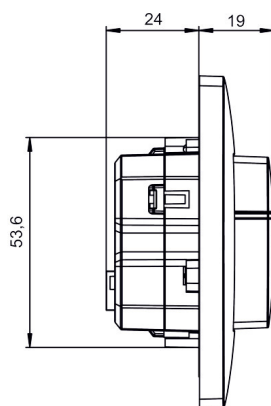
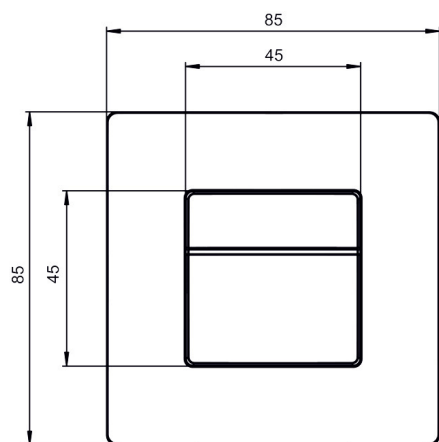
Technical data

theMura P180 KNX UP WH	
Colour	White
Type of protection	IP 20

Detection range for planning applications at a temperature of 21 °C



Scale drawings



Subject to technical changes and misprints

additional information at: www.theben.de/product/2069655

The load data are determined with exemplary selected illuminants and are therefore typical data due to the large number of available products.

16/03/2024

Page 2 of 4

theMura P180 KNX UP WH

Item no.: 2069655



Accessories

theSenda P

Item no.: 9070910



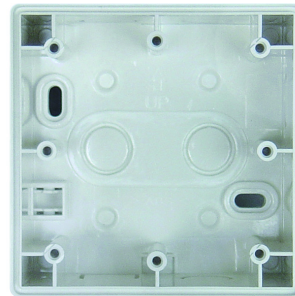
theSenda S

Item no.: 9070911



Surface frame LUXA 103-200

Item no.: 9070504



theSenda B

Item no.: 9070985



Adapter frame 45A BJBSI WH

Item no.: 9070788



Adapter frame 45A MMP WH

Item no.: 9070790



Adapter frame 45A GS WH

Item no.: 9070791



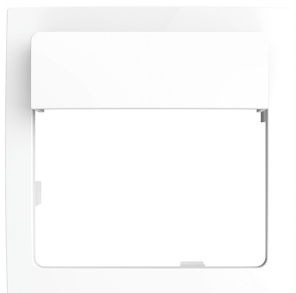
Adapter frame 45A JAS WH

Item no.: 9070789



Adapter frame 45A BS WH

Item no.: 9070792



Adapter frame 45A BJRE WH

Item no.: 9070754



Adapter frame 45A MEMP CL

Item no.: 9080004



Adapter frame 45A GIST CL

Item no.: 9080005



Subject to technical changes and misprints

additional information at: www.theben.de/product/2069655

The load data are determined with exemplary selected illuminants and are therefore typical data due to the large number of available products.

theMura P180 KNX UP WH

Item no.: 2069655



Accessories

Adapter frame 45A BESI CL

Item no.: 9080006



Adapter frame 45A BJBA CL

Item no.: 9080002



Adapter frame 45A JUAS CL

Item no.: 9080003



Adapter frame 45A BJRE CL

Item no.: 9080001



Adapter frame 45A FEED CL

Item no.: 9080007

