

Datasheet – IDDERO VERSO+IP 2

4,3" KNX Capacitive Touch Panel with IP Connectivity

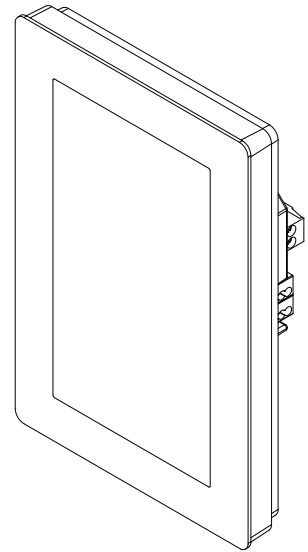


240618-01

MAIN FEATURES

4,3" capacitive touch panel for visualisation and control of KNX installations. IP connectivity allows for remote control from smartphones and tablets. Available in white or black GLASS finish, can be installed in portrait or landscape mode.

- Function highlights:
 - Up to 96 control functions, organized in 12 configurable pages
 - User editable favorites page
 - Configurable background images
 - Weekly time schedules (up to 96 channels, 4 programs / channel)
 - Alarm monitoring (up to 96 alarms) with event log
 - Touch gestures: up to 5 quick actions (4 directions + multitouch), even with the display off (power saving mode)
 - Internal scene controller
 - Two independent thermostats
- Remote control from smartphones and tablets via mobile apps
- Four multi-function inputs, individually configurable as binary or temperature probe inputs
- Built-in temperature sensor
- Real-time clock (RTC) with backup battery
- Integrated KNX bus coupling unit
- Ultra-low power consumption



TECHNICAL SPECIFICATIONS

Mechanical	Form factor	Wall mounted unit	
	Enclosure material	ABS FR V0	
	Degree of protection	IP20	
	Weight	155 g / 206 g (excluding / including mounting chassis)	
	Magnetic fixing	4x gold-plated N50 neodymium magnets (pull: 4x 1.2 kg)	
	Mounting box	Standard square or rounded flush mounting box (not included) Iddero part numbers: E-C466 / E-C456 Flush mounting adapter: E-F401	
Environment	Storage temperature	-20..70 °C	
	Operating temperature	0..55 °C	
	Relative humidity	10..90% (non-condensing)	
External power supply	Supply voltage	12-30 VDC Do not use 29 VDC from KNX bus as external power supply	
	Power consumption	Max. 2.8 W Typ. 165 mA (12 VDC), 85 mA (24 VDC), 75 mA (30 VDC)	
	Connection	Pluggable terminal block, 3.5 mm pitch	
	Recommended wiring	Conductor section 0.5 mm ²	
	Power supply unit	Not included	
User interface	Display	Type	Widescreen 4,3" TFT display (16:9)
		Resolution	272 x 480 pixels
		Colour	24 bpp (16.7 million colours)
		Contrast ratio	500:1 (Typ.)
		Backlight	Low power white LED backlight, with energy saving mode
		Luminance	Min. 350 cd/m ² , software controlled
		Viewing angle	Portrait mode: Typ. 70x50° (L/R), 70x70° (Top/Bottom) Landscape mode: Typ. 70x70° (L/R), 70x50° (Top/Bottom)
		Touch screen	Projected capacitive multitouch
	Cover glass	0.7mm tempered high visibility glass, chemically strengthened	
	Other	Buttons	KNX programming button (recessed)
Indicators		KNX programming LED Buzzer	

Datasheet – IDDERO VERSO+IP 2

4,3” KNX Capacitive Touch Panel with IP Connectivity

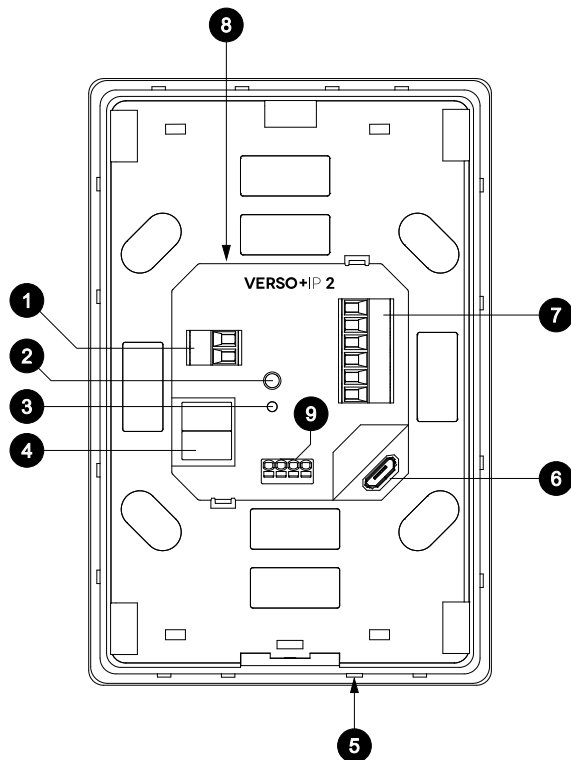


240618-01

Communications	KNX	Type	KNX TP1 bus	
		Connection	Standard KNX TP1 connector	
		Consumption	Typ. 4 mA @ 29 VDC	
	Ethernet	Type	Ethernet 10/100 BASE-T interface	
		Connection	Pluggable terminal block, 2.5 mm pitch	
Rec. wiring		Twisted pair, 0.2 mm ² section (CAT5), solid wires		
Expansion port	USB	Type	USB 2.0	
		Connection	Micro-USB type B connector	
		Output power	150 mA max.	
Inputs	Number of inputs		4 independent inputs	
	Type		Individually configurable as binary (push button and switch/sensor modes) or temperature probe inputs	
	Connection		Pluggable terminal block, 3.5 mm pitch	
	Rec. wiring		Conductor section 0.2 to 1.5 mm ²	
	Binary inputs	Contact type	Dry voltage contact between the two input terminals	
		Detection time	Typical 50 ms (switch/sensor mode)	
		Pulse width	Minimum 10 ms (push button mode)	
		Cable length	Maximum recommended length: 50 m	
Temp. probe		External temperature probe, ref. TS-N1PB / TS-GLASS		
Built-in temperature sensor	Range		0..70 °C	
	Resolution		0.1 °C	
	Precision		1% @ 25°C	
Real time clock	Drift		+/-20 ppm @ 25°C	
	Battery backup		CR1220 3V, 35 mAh	
Compliance	Directives		Directive 2014/30/EC Directive 2011/65/EC Directive 2012/19/EC	
	Standards		EN 63044-5-1:2020 EN 63044-5-2:2020 EN 50581:2012 EN 50419:2006	

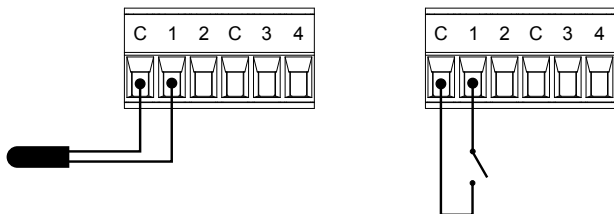
Specifications subject to change without notice

CONNECTORS AND OTHER ELEMENTS



1. Power supply connector (12-30 VDC)
2. KNX programming button
3. KNX programming LED
4. KNX TP1 bus connector
5. Built-in temperature sensor
6. USB connector
7. Multifunction inputs connector
8. Replaceable RTC backup battery
9. Ethernet connector

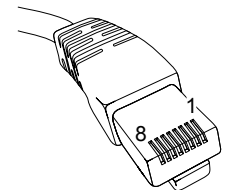
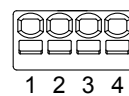
Input connection



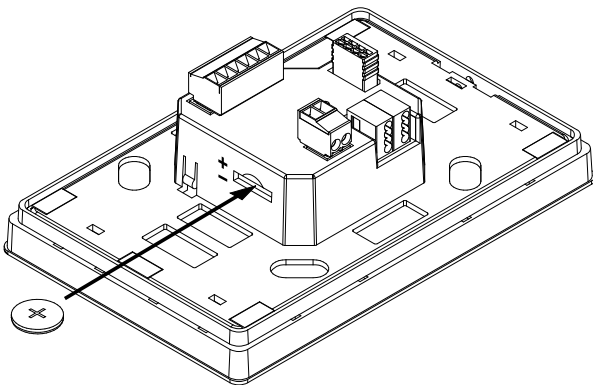
Temperature probe refs.:
 Iddero TS-N1PB / TS-GLASS

Ethernet wiring

VERSO+IP 2	Description	RJ45
1	TX-	2
2	TX+	1
3	RX-	6
4	RX+	3

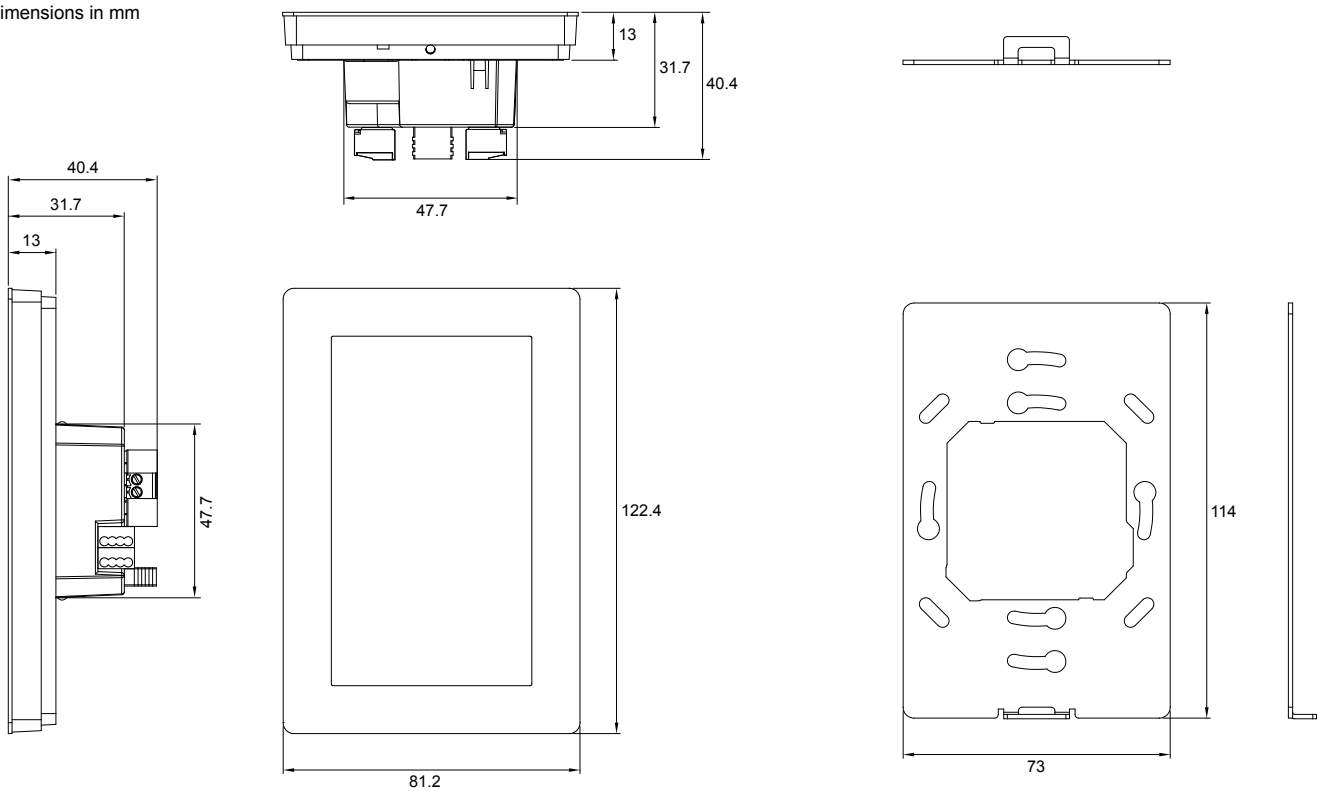


RTC battery replacement



DIMENSIONS

All dimensions in mm

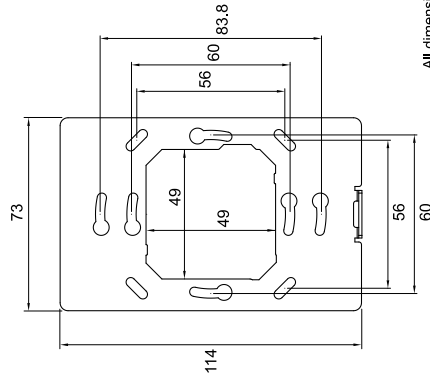
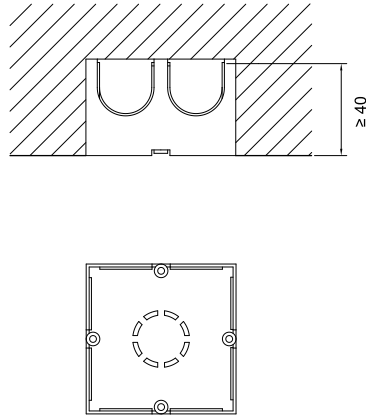


IMPORTANT: Only qualified electricians should install, service, or manipulate this equipment. Existing regulations for the prevention of accidents must be observed, as well as any national or local codes and regulations and standard safety precautions.



This product is an electronic device containing batteries, and must not be disposed of in household waste. At the end of its life cycle, the product must be taken to an electric and electronic waste collection facility. Before that, batteries must be removed from the device and taken to a battery collection point.

VERSO+IP 2



All dimensions in mm
Alle Maße in mm
Todas las dimensiones en mm
Toutes les dimensions en mm

EN INSTALLATION NOTES:

1. Select installation height to allow for direct line of sight
2. Do not expose to direct sun light

DE INSTALLATIONSANMERKUNGEN:

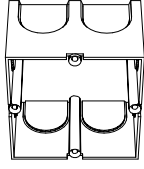
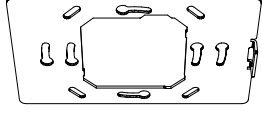
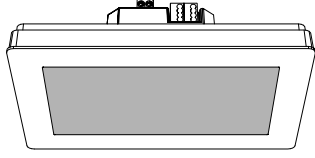
1. Wählen Sie eine Installationshöhe, die eine direkte Blicklinie ermöglicht
2. Installieren Sie dieses Produkt nicht im direkten Sonnenlicht

ES NOTAS DE INSTALACION:

1. Seleccionar la altura de instalación de forma que permita línea de visión directa
2. No instalar en lugares donde la luz solar incida directamente

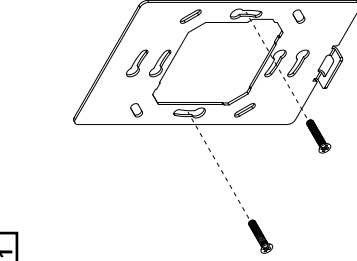
FR NOTES D'INSTALLATION:

1. Sélectionnez la hauteur d'installation de façon qu'elle permette ligne de visée directe
2. Ne pas exposer directement au soleil

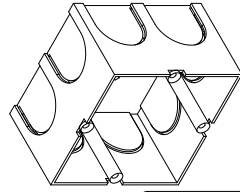


Art.-Nr.
E-C466 / E-C456

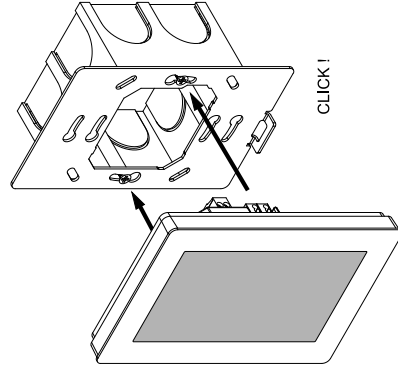
1



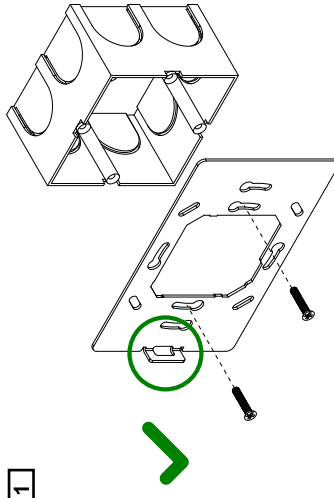
2



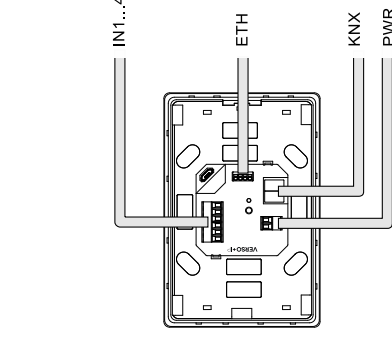
3



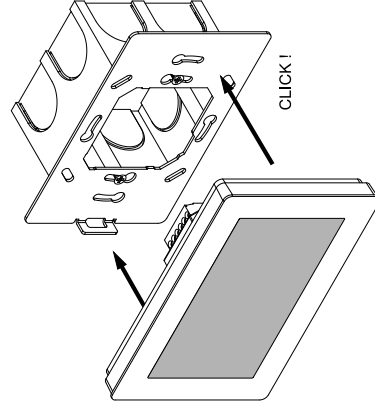
1



2

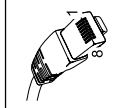


3



ETH

1	TX-	2
2	TX+	1
3	RX-	6
4	RX+	3



1 2 3 4

