

# LUXORliving BI360 WH

Item no.: 4800355

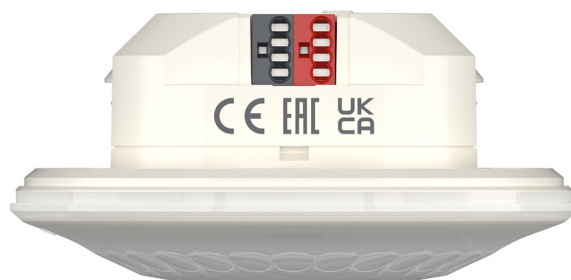
**theben**

Smart Home

Push buttons / Motion detectors

## Description

- Motion detector (PIR) for ceiling mounting indoors
- 360° circular detection area, Ø 12 m (113 m<sup>2</sup>) at 3 m mounting height
- Mixed light measurement suitable for fluorescent lamps (FL/PL/ESL), halogen/incandescent lamps and LEDs
- Integrated temperature sensor
- Extension of the detection range through parallel connection
- Adjustable sensitivity
- Download of the installation software LUXORplug at <https://luxorliving.de/luxorplug>



## Technical data

LUXORliving BI360 WH	
Installation height	2 - 4 m
Type of connection	KNX bus terminal
Lamp types	Incandescent/halogen lamps, fluorescent lamps, Energy saving lamps, LEDs
Light measurement	Mixed light measurement

LUXORliving BI360 WH	
Colour	White
Protection class	III
Type of protection	IP 54 (when fitted)

Subject to technical changes and misprints

additional information at: [www.theben.de/product/4800355](http://www.theben.de/product/4800355)

The load data are determined with exemplary selected illuminants and are therefore typical data due to the large number of available products.

23/11/2024

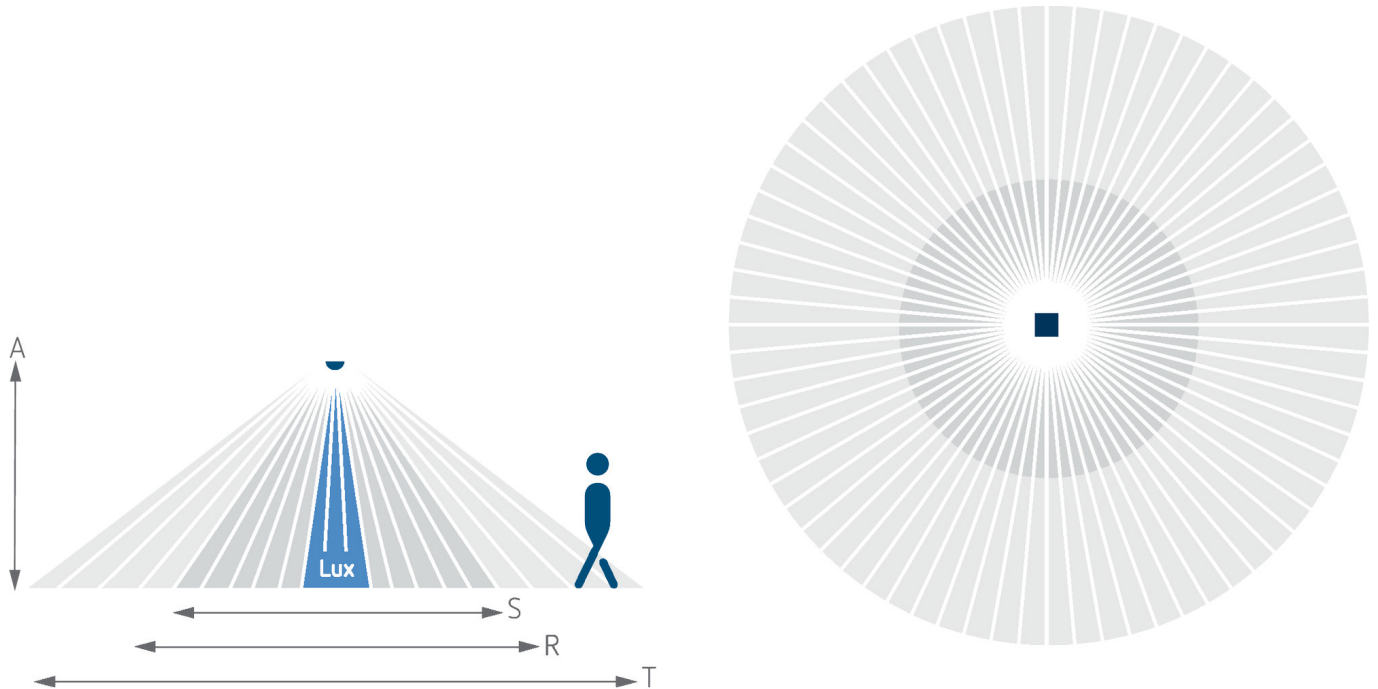
Page 1 of 2

# LUXORliving BI360 WH

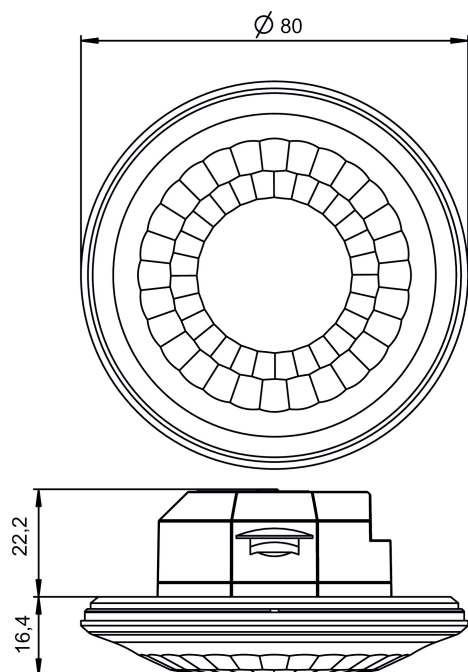
Item no.: 4800355

theben

Detection range for planning applications at a temperature of 21 °C



## Scale drawings



Subject to technical changes and misprints

additional information at: [www.theben.de/product/4800355](http://www.theben.de/product/4800355)

The load data are determined with exemplary selected illuminants and are therefore typical data due to the large number of available products.