

thePiccola P360 KNX DE WH

Item no.: 2099200

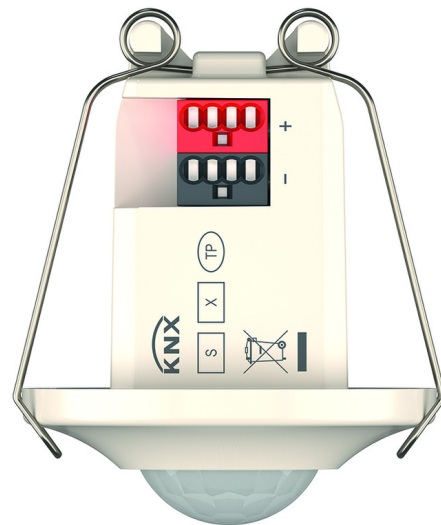


KNX

Presence and motion detectors

Description

- Presence detector (PIR) for false ceilings indoor
- Round detection area 360°, Ø 8 m (50 m²) at 2,5 m mounting height
- For KNX bus system, 2 channels light and 2 channels presence for HVAC control
- 2 channels light with 1 light measurement
- Automatic lighting control with constant light control or switching mode
- Dimmable lighting in switching mode with and without daylight influence
- Integrated temperature sensor
- Day / night switching via telegram
- Stand-by functionality (orientation light)
- 4 logic channels (AND/OR/XOR)
- KNX Data-Secure
- Operation as fully or semi-automatic possible
- Manual override possible via external KNX push-buttons
- One directional brightness measurement (mixed light measurement)
- Simple adjustment of the brightness measurement
- Short-term presence
- Selectable control speed
- Teach-in function
- Scene functionality
- Locking functions
- Switch-on delay and presence follow-up time adjustable
- Extension of the detection area through parallel connection
- Detection sensitivity can be changed for outdoor use
- Test mode for checking function and detection area
- Setting via ETS software (full range of functions)
- Setting via remote control/APP or APP (BLE)



Technical data

thePiccola P360 KNX DE WH	
Installation height	
Minimum height	
Measuring range brightness	5 - 3000 lx
Detection angle	360°
Type of connection	KNX bus terminal
Installation type	Ceiling mounting
Light switch-off delay	30 s - 60 min

thePiccola P360 KNX DE WH	
Lamp types	Energy saving lamps, fluorescent lamps, Incandescent/halogen lamps, LEDs
Light measurement	Mixed light measurement
Presence switch-off delay	10 s - 120 min
Switch-on delay presence	10 s - 30 min / inactive
Ambient temperature	-25°C ... 55°C
Detection range	50 m² (Ø 8 m 360°)

Subject to technical changes and misprints

additional information at: www.theben.de/product/2099200

The load data are determined with exemplary selected illuminants and are therefore typical data due to the large number of available products.

thePiccola P360 KNX DE WH

Item no.: 2099200

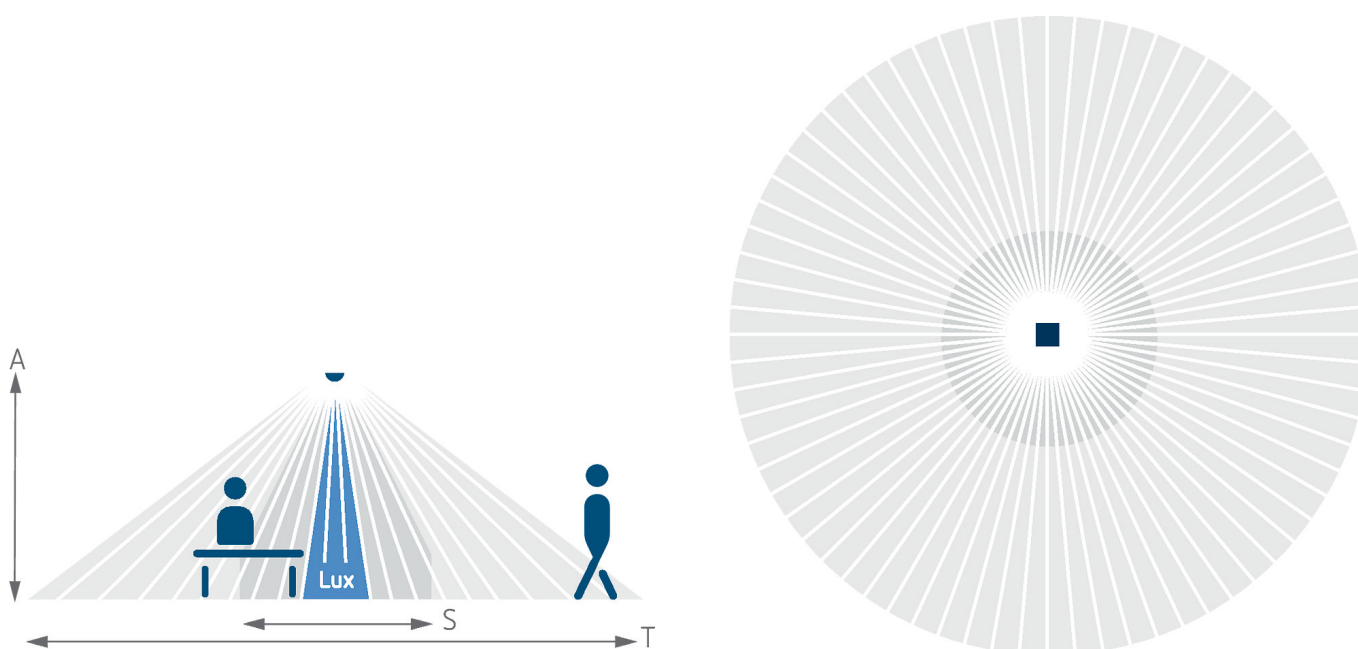


Technical data

thePiccola P360 KNX DE WH	
Colour	White
Type of protection	IP 54 (when fitted)

Detection range for planning applications at a temperature of 21 °C

Montagehöhe (A)	Frontal gehend (R)	Quer gehend (T)	Sitzend (S)
2,5 m	3 m ² 2 m	50 m ² 8 m	3 m ² 2 m



Subject to technical changes and misprints

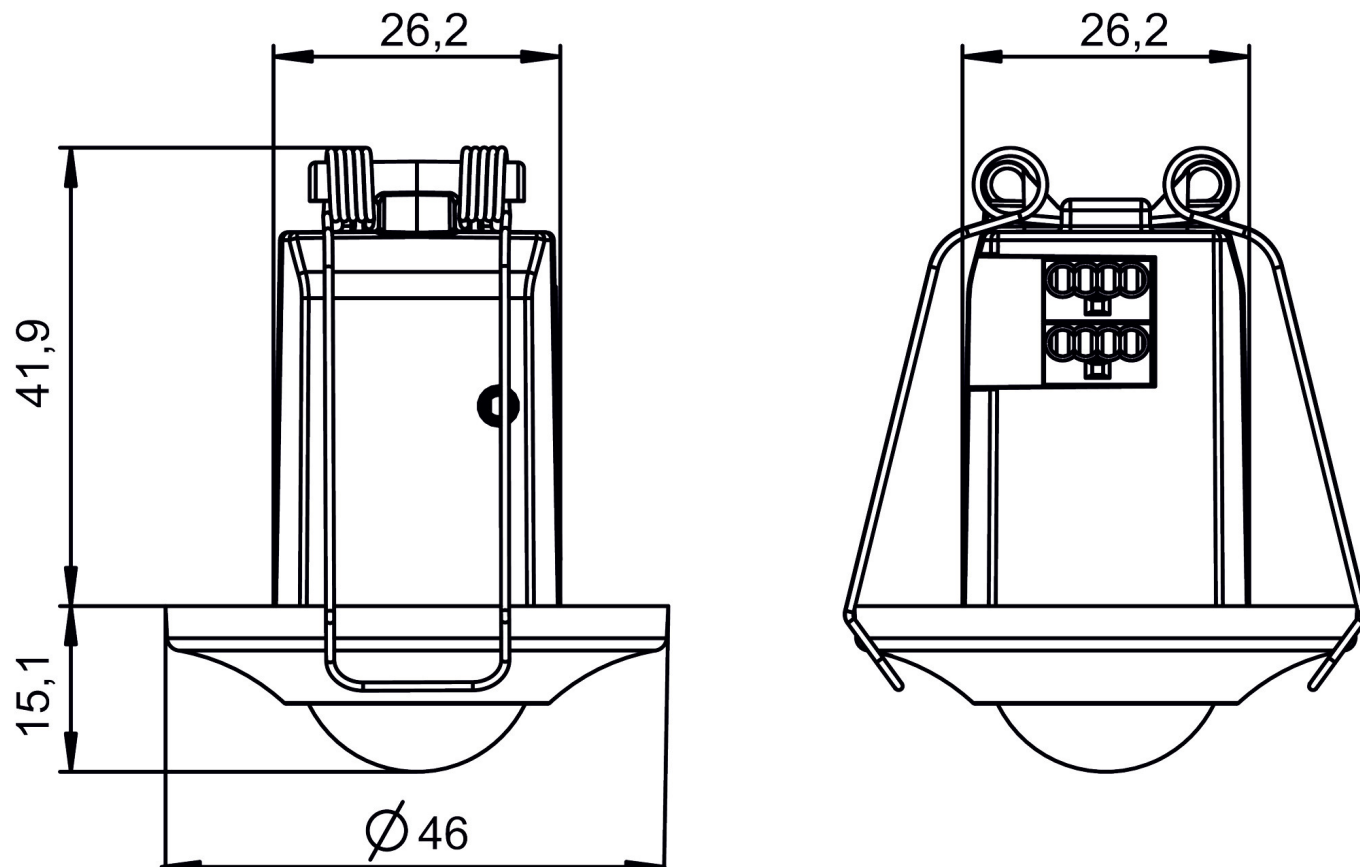
additional information at: www.theben.de/product/2099200

The load data are determined with exemplary selected illuminants and are therefore typical data due to the large number of available products.

thePiccola P360 KNX DE WH

Item no.: 2099200

Scale drawings



Accessories

theSenda P

Item no.: 9070910



theSenda B

Item no.: 9070985



theSenda S

Item no.: 9070911



Subject to technical changes and misprints

additional information at: www.theben.de/product/2099200

The load data are determined with exemplary selected illuminants and are therefore typical data due to the large number of available products.

16/03/2024

Page 3 of 3