

LUXA 103 S360-28 KNX UP

Item no.: 1039072

theben

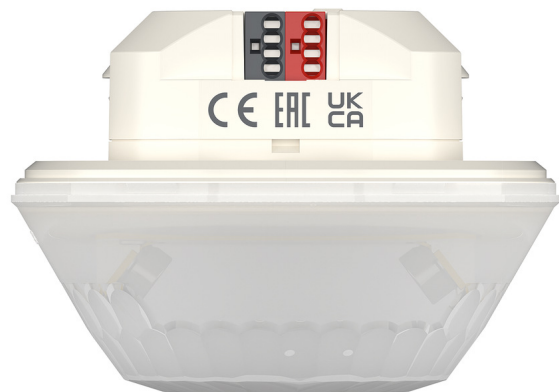
KNX

Presence and motion detectors

Description

- Presence detector (PIR) for flush-mounted ceiling installation indoor
- Rectangular detection area 360°, 28 x 5 m (140 m²) at 3 m mounting height
- For KNX bus system, 2 light channels and 2 presence channels for HVAC control
- 2 channels light with 1 light measurement
- Automatic lighting control with constant light control or switching mode

- Dimmable lighting in switching mode with and without daylight influence
- Integrated temperature sensor
- Day / night switching via telegram
- Stand-by functionality (orientation light)
- 3 logic channels (AND/OR/XOR)
- KNX Data-Secure
- Operation as fully or semi-automatic possible
- Manual override possible via external KNX push-buttons
- One directional brightness measurement (mixed light measurement)
- Simple adjustment of the brightness measurement
- Short-term presence
- Selectable control speed
- Teach-in function
- Scene functionality
- Locking functions
- Switch-on delay and presence follow-up time adjustable
- Extension of the detection area through parallel connection
- Detection sensitivity can be changed for outdoor use
- Test mode for checking function and detection area
- Setting via ETS software (full range of functions)
- Setting via remote control/APP or APP (BLE)



Technical data

LUXA 103 S360-28 KNX UP	
Installation height	
Minimum height	1.7 m
Measuring range brightness	5 - 1000 lx
Detection angle	360°
Type of connection	KNX bus terminal
Installation type	Ceiling installation
Light switch-off delay	30 s - 60 min

LUXA 103 S360-28 KNX UP	
Lamp types	Energy saving lamps, fluorescent lamps, Incandescent/halogen lamps, LEDs
Light measurement	Mixed light measurement
Presence switch-off delay	10 s - 120 min
Switch-on delay presence	10 s - 30 min / inactive
Ambient temperature	-25°C ... 55°C
Detection range	140 m ² (28 x 5 m 360°)

Subject to technical changes and misprints

additional information at: www.theben.de/product/1039072

The load data are determined with exemplary selected illuminants and are therefore typical data due to the large number of available products.

LUXA 103 S360-28 KNX UP

Item no.: 1039072

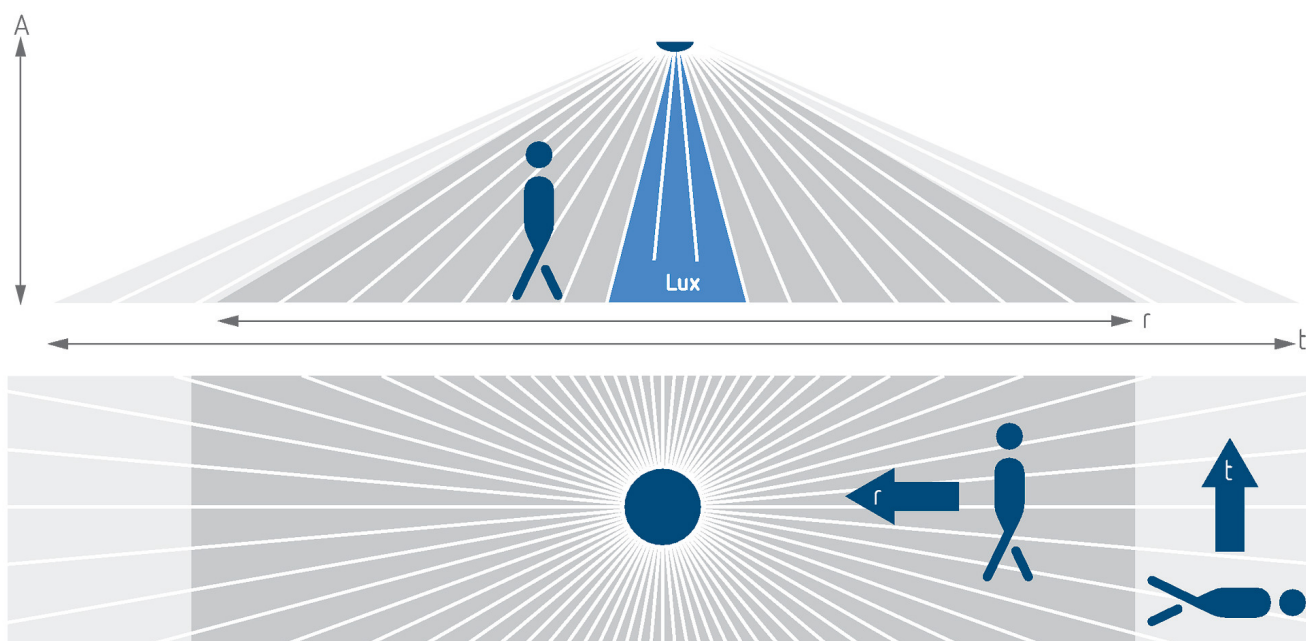
theben

Technical data

LUXA 103 S360-28 KNX UP	
Colour	White
Type of protection	IP 54 (when fitted)

Detection range for planning applications at a temperature of 21 °C

Montagehöhe (A)	Quer gehend (T)	Frontal gehend (R)	
2,5 m	140 m ² 28 m x 5 m	70 m ² 14 m x 5 m	
3 m	140 m ² 28 m x 5 m	70 m ² 14 m x 5 m	
3,5 m	104 m ² 26 m x 4 m	60 m ² 12 m x 5 m	



Subject to technical changes and misprints

additional information at: www.theben.de/product/1039072

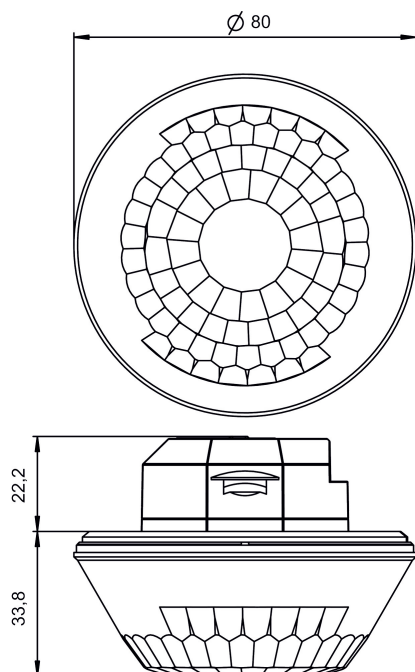
The load data are determined with exemplary selected illuminants and are therefore typical data due to the large number of available products.

LUXA 103 S360-28 KNX UP

Item no.: 1039072



Scale drawings



Accessories

theSenda P
Item no.: 9070910



theSenda B
Item no.: 9070985



theSenda S
Item no.: 9070911



Ceiling installation box 68A
Item no.: 9070992



Surface box LUXA 103 B WH
Item no.: 9080019



Surface box LUXA 103 B GR
Item no.: 9080020



Surface box LUXA 103 B BK
Item no.: 9080021



Subject to technical changes and misprints

additional information at: www.theben.de/product/1039072

The load data are determined with exemplary selected illuminants and are therefore typical data due to the large number of available products.