

# LUXORliving S1 S RF

Item no.: 4800621

# theben

Smart Home  
Flush-mounted actuators

## Description

- 1-way wireless flush-mounted switch actuator LUXORliving
- Encrypted wireless communication
- Adjustable features: NC/NO contact, switching, delayed switching, pulse function
- 2 binary inputs for floating contacts such as buttons, switches, temperature sensor (I2)
- The binary inputs are assigned to the switch output as standard (function test before programming)
- Integrated temperature monitoring for increased operating safety, e.g. in the event of overload
- Download of the installation software LUXORplug at <https://luxorliving.de/luxorplug>

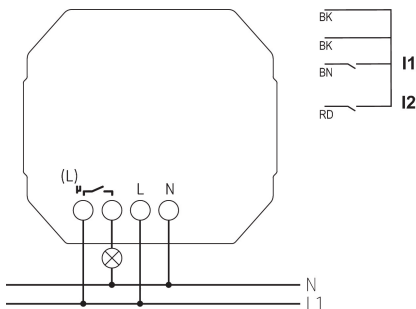


## Technical data

LUXORliving S1 S RF	
Operating voltage	230 V AC - 240 V AC, 50 Hz - 60 Hz
Frequency	50 - 60 Hz
Stand-by consumption	~0.4 W
Installation type	Flush-mounted
Number of channels	1
Type of contact	10 A
Incandescent/halogen lamp load	1800 W

LUXORliving S1 S RF	
LED lamp < 2 W	50 W
LED lamp 2-8 W	600 W
LED lamp > 8 W	600 W
Ambient temperature	-5°C ... 45°C
Protection class	II
Predecessor	4800620, LUXORliving S1 RF

## Connection example



Subject to technical changes and misprints

additional information at: [www.theben.de/product/4800621](http://www.theben.de/product/4800621)

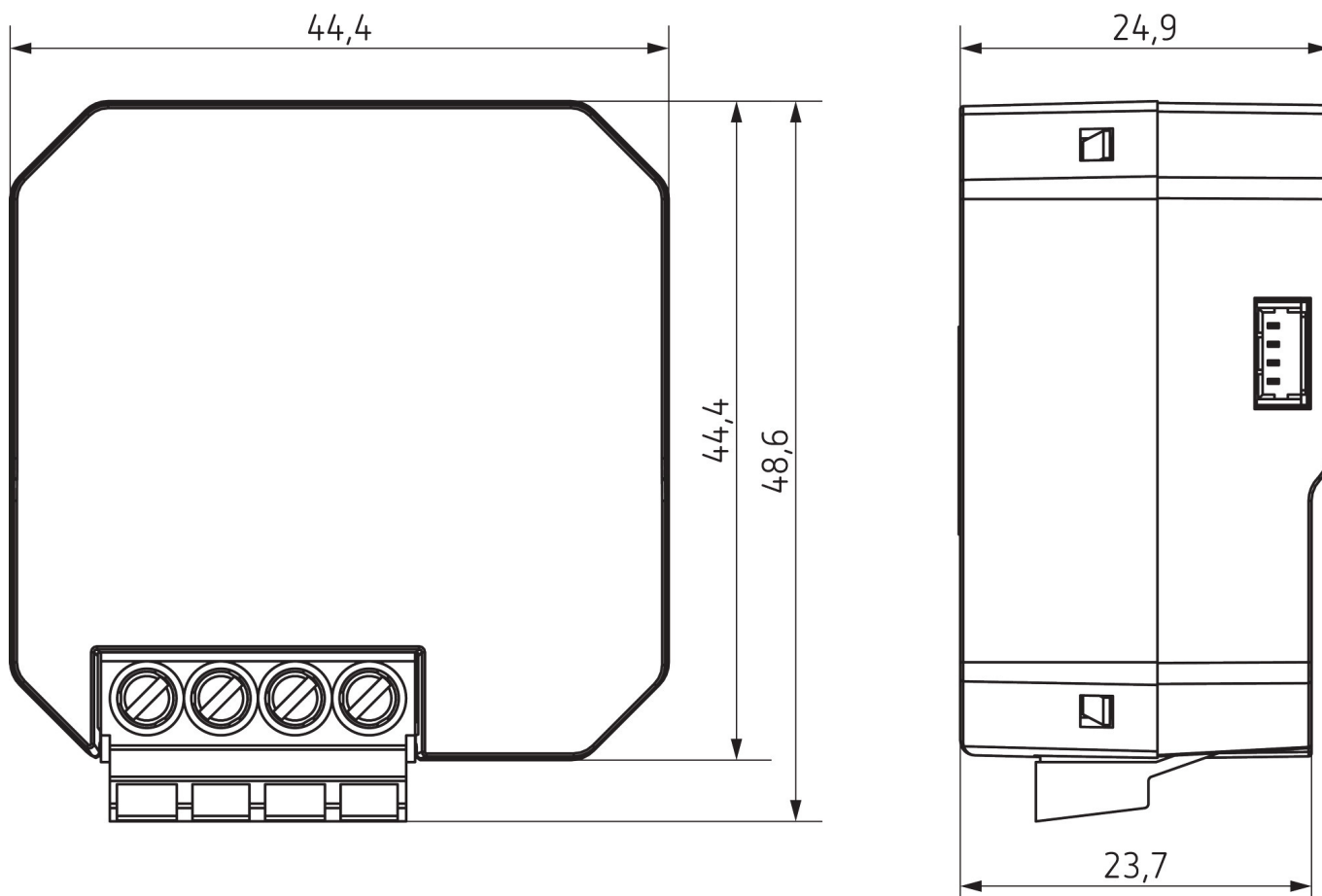
The load data are determined with exemplary selected illuminants and are therefore typical data due to the large number of available products.

# LUXORliving S1 S RF

Item no.: 4800621

**theben**

## Scale drawings

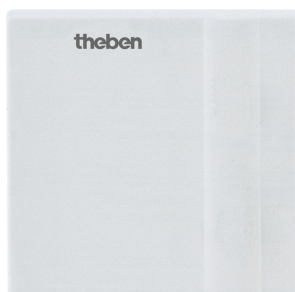


## Accessories

Temperature sensor  
Item no.: 9070321



Temperature sensor RAMSES IP  
65  
Item no.: 9070459



Flush-mounted temperature  
sensor  
Item no.: 9070496



Subject to technical changes and misprints

additional information at: [www.theben.de/product/4800621](http://www.theben.de/product/4800621)

The load data are determined with exemplary selected illuminants and are therefore typical data due to the large number of available products.