

# LUXORliving D4 DALI

Item no.: 4800300



## Smart Home

Actuators DIN rail and gateways

## Description

- 4-way DALI actuator LUXORliving, DALI-2 certified
- Interface between bus system and DALI lighting system (Digital Addressable Lighting Interface)
- For controlling up to 30 DALI operating devices per channel via broadcast commands
- Enables very simple commissioning without the effort of addressing or grouping on the DALI side
- Even in the event of a fault, simple replacement of DALI control gear without further programming
- Internal DALI power supply with 60 mA output current per channel
- In addition to the classic functions such as switching, dimming, scenes, the DALI actuator also offers the possibility of colour and colour temperature control (Device Type 8)
- Download of the installation software LUXORplug at <https://luxorliving.de/luxorplug>



## Technical data

LUXORliving D4 DALI	
Operating voltage KNX	≤10 mA
Operating voltage	110 V AC - 240 V AC, 50 Hz - 60 Hz
Frequency	50 - 60 Hz
Width	4 modules
Installation type	DIN rail
Number of channels	4

LUXORliving D4 DALI	
Lamp types	Incandescent, low-voltage and high-voltage halogen and dimmable energy saving lamps and LED
Ambient temperature	-5°C ... 45°C
Type of protection	IP 20
Protection class	II according to EN 60 669

Subject to technical changes and misprints

additional information at: [www.theben.de/product/4800300](http://www.theben.de/product/4800300)

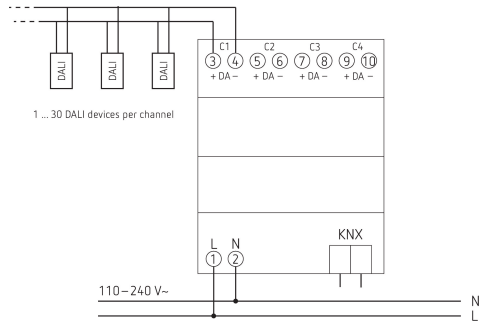
The load data are determined with exemplary selected illuminants and are therefore typical data due to the large number of available products.

# LUXORliving D4 DALI

Item no.: 4800300



## Connection example



Subject to technical changes and misprints

additional information at: [www.theben.de/product/4800300](http://www.theben.de/product/4800300)

The load data are determined with exemplary selected illuminants and are therefore typical data due to the large number of available products.