

# LUXA 104 S360-200-24 DE-UP WH

Item no.: 1040200

**theben**

## Presence and motion detectors Ceiling installation indoor

### Description

- Passive infrared presence detector for ceiling installation (flush-mounted or in false ceilings)
- Circular detection area 360°, up to Ø 24 m (452 m<sup>2</sup>) at mounting height 3 m
- 2 channels light with 2 light measurements (Relay 230 V)
- Automatic presence- and brightnessdependent control for lighting
- Mixed light measurement suitable for fluorescent lamps (FL/PL/ESL), halogen/incandescent lamps and LEDs
- Choice of fully or semi-automatic operation
- Adjustable brightness switching value
- Teach-in function
- Reduction of switch-off delay time in the event of short presence (brief-presence)
- Connection option for push-button
- Pulse function for staircase light time switch
- Detection area can be limited using cover clip
- Sensitivity adjustable
- Extension of detection area via Master/Slave or Master/Master switching, a maximum of 10 detectors can be switched in parallel with each other
- Ceiling installation also possible with surface-mounted frame
- Ready for immediate use due to factory preset
- User remote control theSenda S, service remote control theSenda P or remote control with app theSenda B available as accessory



### Technical data

LUXA 104 S360-200-24 DE-UP WH	
Operating voltage	230 V AC
Frequency	50 Hz
Stand-by consumption	≤0.5 W
Light measurement	Mixed light measurement
Number of channels	2
Colour	White
Switching output	2 x light
Installation type	Ceiling installation
Setting range brightness	10 lx - 3000 lx
Detection angle	360°
Installation height	2 - 5 m
Incandescent/halogen lamp load	2300 W
Inrush current	max. 800 A / 200 µs

LUXA 104 S360-200-24 DE-UP WH	
LED lamp < 2 W	60 W
LED lamp 2-8 W	600 W
LED lamp > 8 W	600 W
Lamp types	Incandescent/halogen lamps, fluorescent lamps, Energy saving lamps, LEDs
Detection range	452 m <sup>2</sup> (Ø 24 m   360°)
Detection range	Round, Round, Square, Round, Round, Round
Remote controlled	✓
Ambient temperature	-15°C ... 45°C
Protection class	II
Type of protection	IP 40 (when fitted)

Subject to technical changes and misprints

additional information at: [www.theben.de/product/1040200](http://www.theben.de/product/1040200)

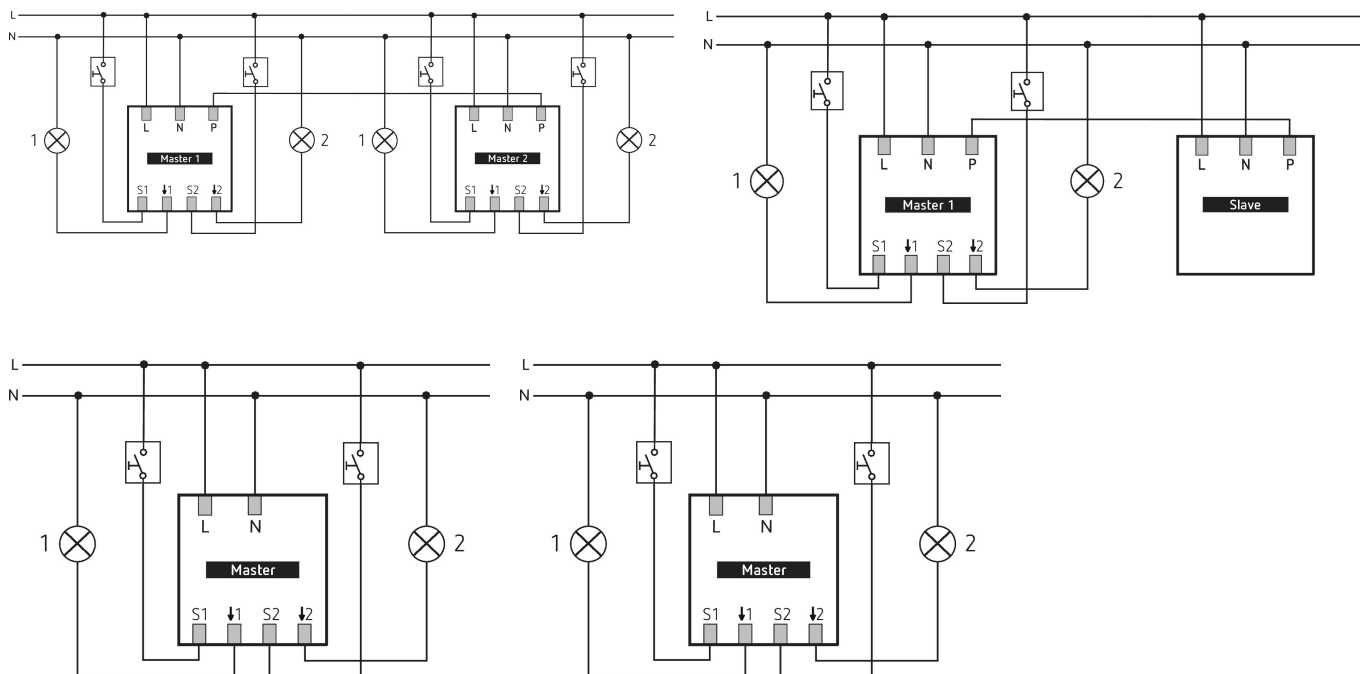
The load data are determined with exemplary selected illuminants and are therefore typical data due to the large number of available products.

# LUXA 104 S360-200-24 DE-UP WH

Item no.: 1040200

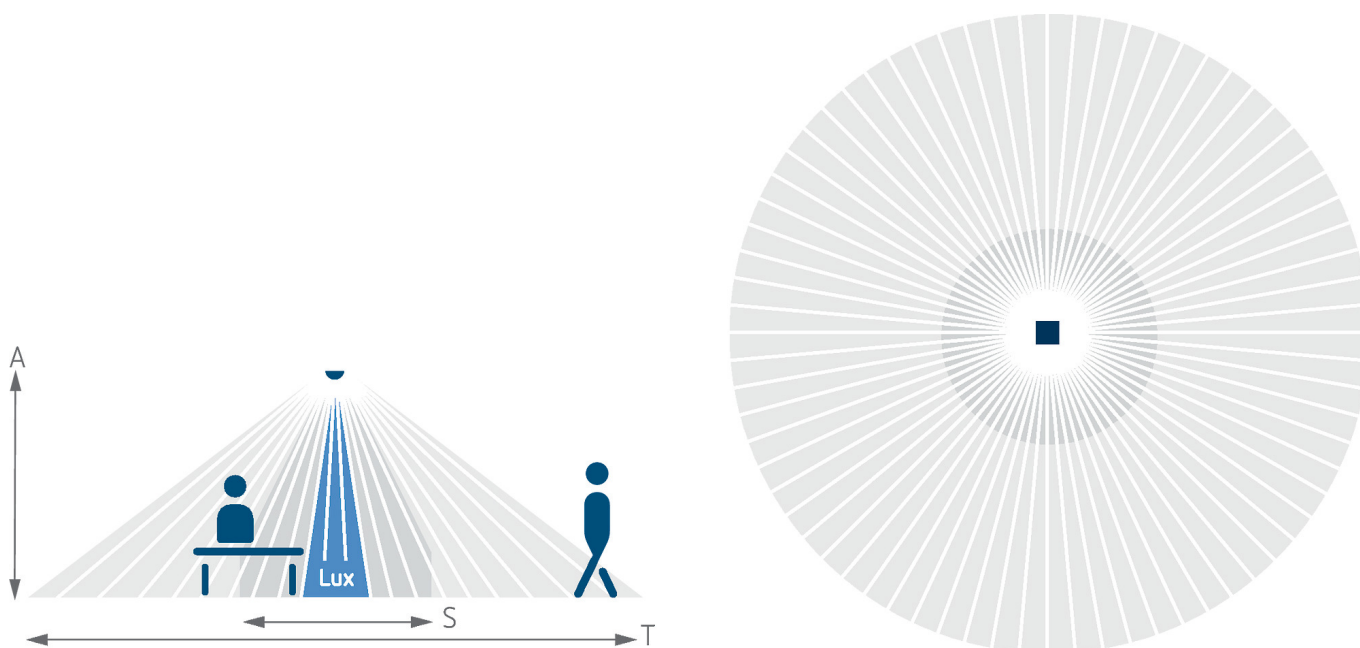


## Connection example



## Detection range for planning applications at a temperature of 21 °C

Mounting height (A)	Diagonally (T)	Head on to (R)	Sitting (S)
2.5 m	452 m <sup>2</sup>   24 m	28 m <sup>2</sup>   6 m	28 m <sup>2</sup>   6 m
3 m	452 m <sup>2</sup>   24 m	13 m <sup>2</sup>   4 m	13 m <sup>2</sup>   4 m



Subject to technical changes and misprints

additional information at: [www.theben.de/product/1040200](http://www.theben.de/product/1040200)

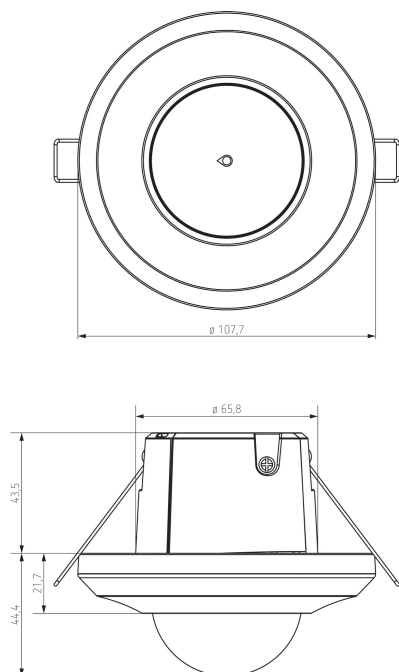
The load data are determined with exemplary selected illuminants and are therefore typical data due to the large number of available products.

# LUXA 104 S360-200-24 DE-UP WH

Item no.: 1040200



## Scale drawings



## Accessories

### theSenda P

Item no.: 9070910



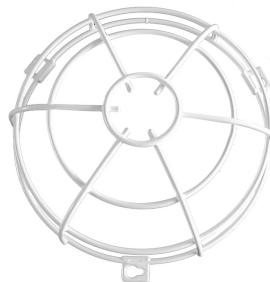
### theSenda S

Item no.: 9070911



### QuickSafe

Item no.: 9070531



### theSenda B

Item no.: 9070985



### Surface frame 100A WH

Item no.: 9070819



Subject to technical changes and misprints

additional information at: [www.theben.de/product/1040200](http://www.theben.de/product/1040200)

The load data are determined with exemplary selected illuminants and are therefore typical data due to the large number of available products.