

# HU 1 S RF KNX

Item no.: 4941641



Home and Building control  
KNX

## Description

- Flush-mounted 1-way heating actuator, KNX RF, Data Secure
- 2 binary inputs for floating contacts such as buttons, switches, temperature sensor (I2)
- With integrated controller
- Silent control of 230 V AC thermal actuators
- Integrated heating/cooling temperature controller
- Valve protection function
- Secure communication via KNX-RF with support from KNX Data Secure
- Easy installation due to the compact housing
- 2 binary inputs for floating contacts such as buttons, switches, temperature sensor (I2)
- Integrated temperature monitoring for increased operating safety, e.g. in the event of overload
- The binary inputs are assigned to the output as standard (function test before programming)



## Technical data

HU 1 S RF KNX	
Operating voltage KNX	Bus voltage, <4 mA
Operating voltage	230 V AC 50 – 60 Hz
Frequency	50 – 60 Hz
Stand-by consumption	<0.4 W
Installation type	Flush-mounted
Number of channels	1

HU 1 S RF KNX	
Type of contact	1 A
Type	Base module
Ambient temperature	-5°C ... 45°C
Predecessor	4941640, HU 1 RF KNX

Subject to technical changes and misprints

additional information at: [www.theben.de/product/4941641](http://www.theben.de/product/4941641)

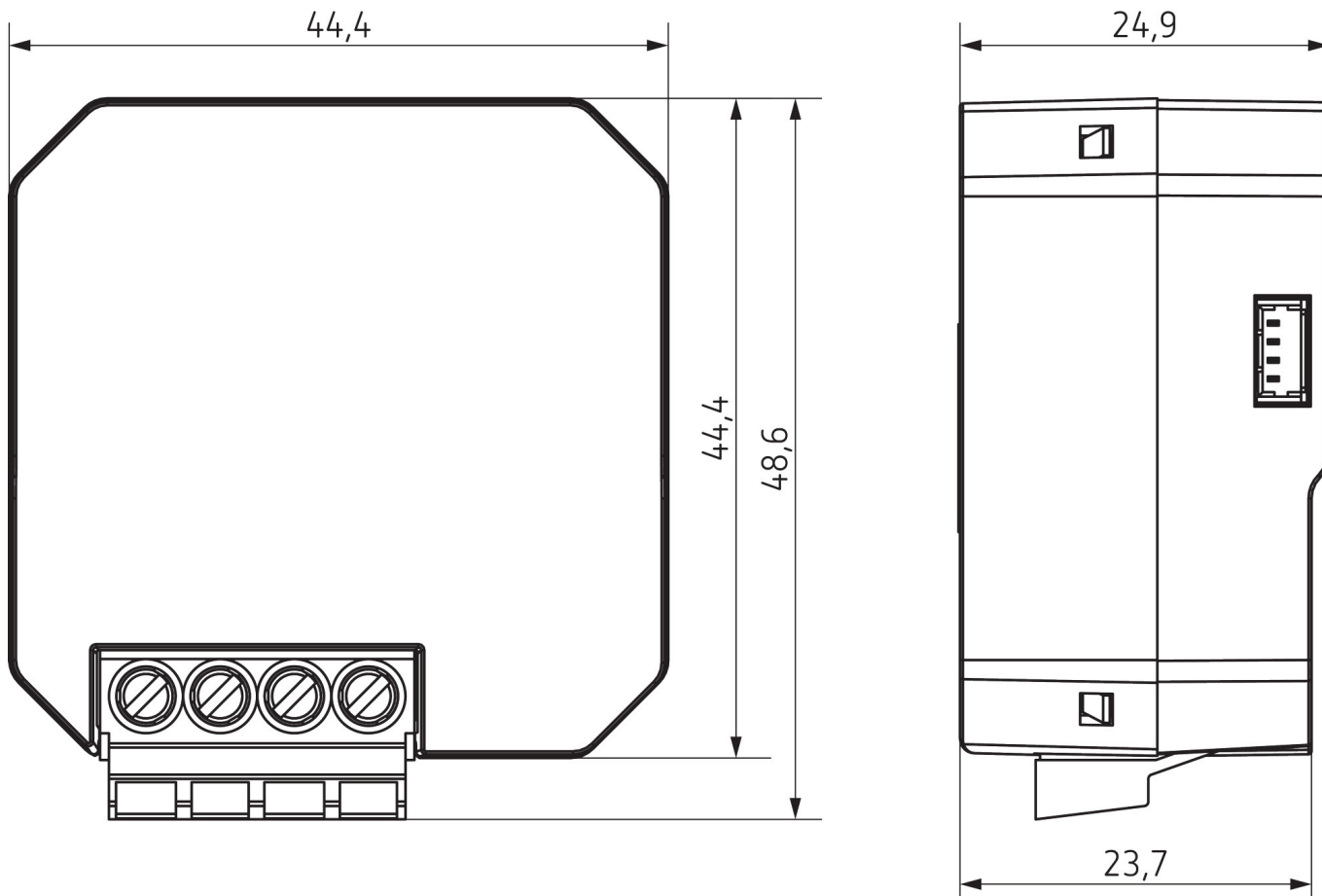
The load data are determined with exemplary selected illuminants and are therefore typical data due to the large number of available products.

# HU 1 S RF KNX

Item no.: 4941641

**theben**

## Scale drawings

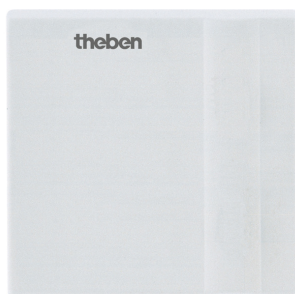


## Accessories

Temperature sensor  
Item no.: 9070321



Temperature sensor RAMSES IP  
65  
Item no.: 9070459



Flush-mounted temperature  
sensor  
Item no.: 9070496



Subject to technical changes and misprints

additional information at: [www.theben.de/product/4941641](http://www.theben.de/product/4941641)

The load data are determined with exemplary selected illuminants and are therefore typical data due to the large number of available products.