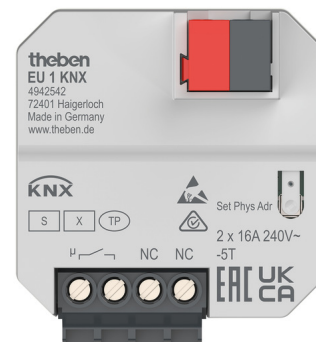


Home and Building control
KNX

Description

- 1-way flush-mounted actuator for electric heating 16 A, KNX TP, Data Secure
- Easy installation due to the compact housing
- Secure communication via with support of „KNX Data Secure“
- For direct connection of electric heating with high switching capacity
- Integrated temperature controller can also be configured as an additional heater
- Additional stage function for simple control of a second heat generator
- 2 binary inputs for floating contacts such as buttons, switches, temperature sensor (I2)
- Integrated temperature monitoring for increased operating safety, e.g. in the event of overload
- The binary inputs are assigned to the dimming output as standard (function test before programming)

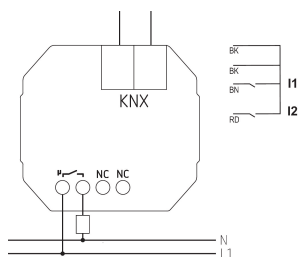


Technical data

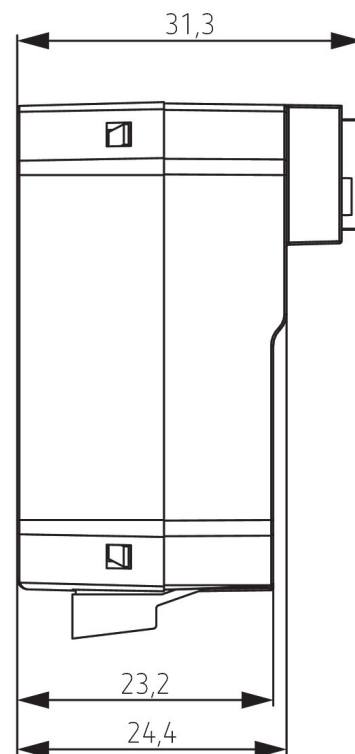
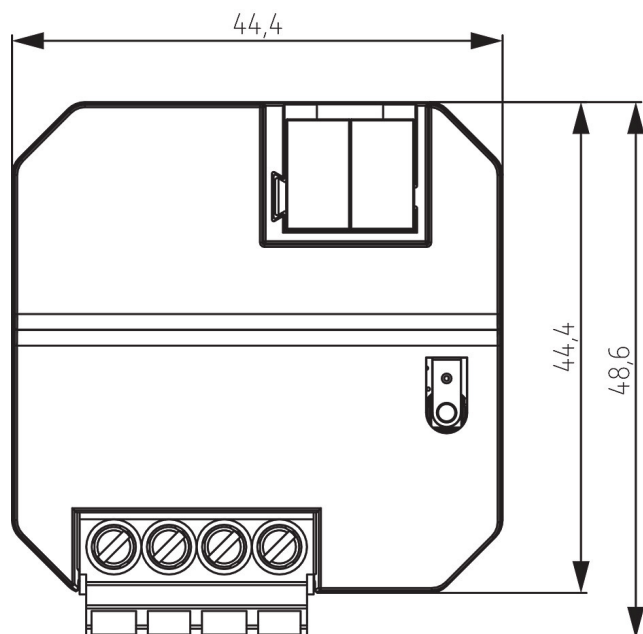
| EU 1 KNX | |
|-----------------------|--------------------|
| Operating voltage KNX | Bus voltage, <4 mA |
| Installation type | Flush-mounted |
| Number of channels | 1 |
| Type of contact | 16 A |
| Type | Base module |

| EU 1 KNX | |
|---------------------|---------------|
| Ambient temperature | -5°C ... 45°C |
| Type of protection | IP 20 |
| Protection class | II |

Connection example



Scale drawings

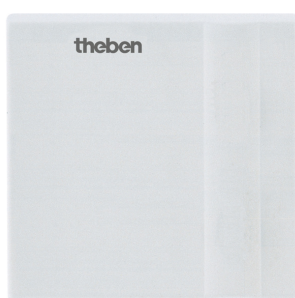


Accessories

Temperature sensor
Item no.: 9070321



Temperature sensor RAMSES IP
65
Item no.: 9070459



Flush-mounted temperature
sensor
Item no.: 9070496

