

theRonda P360 DALI-2 HCL UP WH

Item no.: 2080095

theben

Presence and motion detectors
Indoor detectors

Description

- Passive infrared presence detector for ceiling mounting, DALI-2 certified
- Circular detection zone 360°, Ø 24 m, (452 m²) at 3 m mounting height
- DALI-2 addressable up to 4 channels of light
- Evaluates information from DALI push-button interfaces and controls actuators such as DALI ECGs or DALI relays according to DALI-2 standard
- Colour temperature control based on time of day HCL (Human Centric Lighting)
- Operation with RGBW light sources
- Time-controlled actions via integrated timer
- Flexible assignment of up to 4 lighting groups, additionally up to 4 switching groups and 2 presence groups via app
- Constant light control or dimmable lighting in switching mode with and without daylight influence, orientation light
- Switching mode and constant light control without presence influence
- 3 mixed light measurements
- Scenes can be created with any DALI ECGs and called up via push-buttons or remote control
- Simple integration of up to 4 DALI push-button interfaces (16 push-buttons) via app
- Simple, intuitive commissioning and operation thanks to app, bidirectional communication via BLE and thus simple reading of all parameters
- Dimming speed manual dimming adjustable in 2 steps
- Self-learning switch-off delay time
- Shortening of the overrun time in case of short presence (short-time presence)
- Teach-in function
- Detection sensitivity adjustable
- Extremely simple setting of energy-saving behaviour (eco / eco plus)
- Selectable control speed
- Manual override via app, remote control or push-button
- Fully or semi-automatic
- Test mode for checking function and detection range
- Simple extension of the detection range through automatic integration of DALI-2 presence sensors
- App „DALI-2 RS Plug“ (for iOS / Android / Windows)
- Remote control „theSenda B“ (optional)
- Area restriction with cover clips (optional)
- Functional description DALI-2 Room Solution
- The DALI-2 Room Solution is a DALI-2 single room solution that handles all aspects of lighting control



Subject to technical changes and misprints

additional information at: www.theben.de/product/2080095

The load data are determined with exemplary selected illuminants and are therefore typical data due to the large number of available products.

08/03/2022

Page 1 of 5

theRonda P360 DALI-2 HCL UP WH

Item no.: 2080095



Description

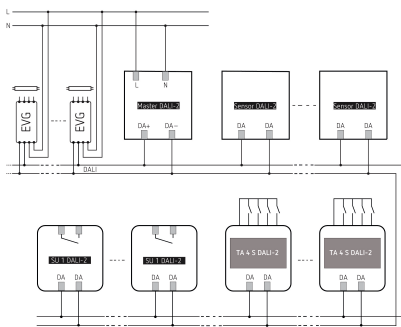
- Compared to DALI presence detectors, the DALI-2 Room Solution offers new functionalities such as HCL function, TW/RGB functionality, time-controlled functions and others
- For the single room solution, all key components (presence detector, switching actuator, push-button interface) and the app for commissioning are available from a single source

Technical data

theRonda P360 DALI-2 HCL UP WH	
Operating voltage	230 V AC
Frequency	50 Hz
Installation height	2 – 10 m
Maximum height	15 m
Minimum height	> 1,7 m
Installation type	Ceiling installation
Switching output	DALI
Power consumption	<0.7 W (without DALI device); < 1,6 W (with DALI output 150 mA)
Light measurement	Mixed light measurement
Setting range brightness	10 – 6000 lx
Light switch-off delay	10 s - 60 min

theRonda P360 DALI-2 HCL UP WH	
Stand-by time light	0 s – 60 min / on
Stand-by brightness	1 – 75 %
Lamps	Incandescent/halogen lamps, fluorescent lamps, Energy saving lamps, LEDs
Control output	150 mA, max. 250 mA (EN 62386-101)
Max. cable cross section	max. 2 x 2,5 mm ²
Detection range	452 m ² (ø 24 m 360°)
Ambient temperature	-15°C ... 50°C
Type of protection	IP 54 (when fitted)

Connection example



Detection range for planning applications

Mounting height (A)	Sitting (S)	Diagonally (T)	Head on to (R)
2 m	16 m ² 4.5 m	380 m ² 22 m	28 m ² 6 m
2.5 m	24 m ² 5.5 m	415 m ² 23 m	38 m ² 7 m
3 m	28 m ² 6 m	452 m ² 24 m	50 m ² 8 m
3.5 m	28 m ² 6 m	452 m ² 24 m	50 m ² 8 m
6 m		452 m ² 24 m	50 m ² 8 m
10 m		491 m ² 25 m	50 m ² 8 m

Subject to technical changes and misprints

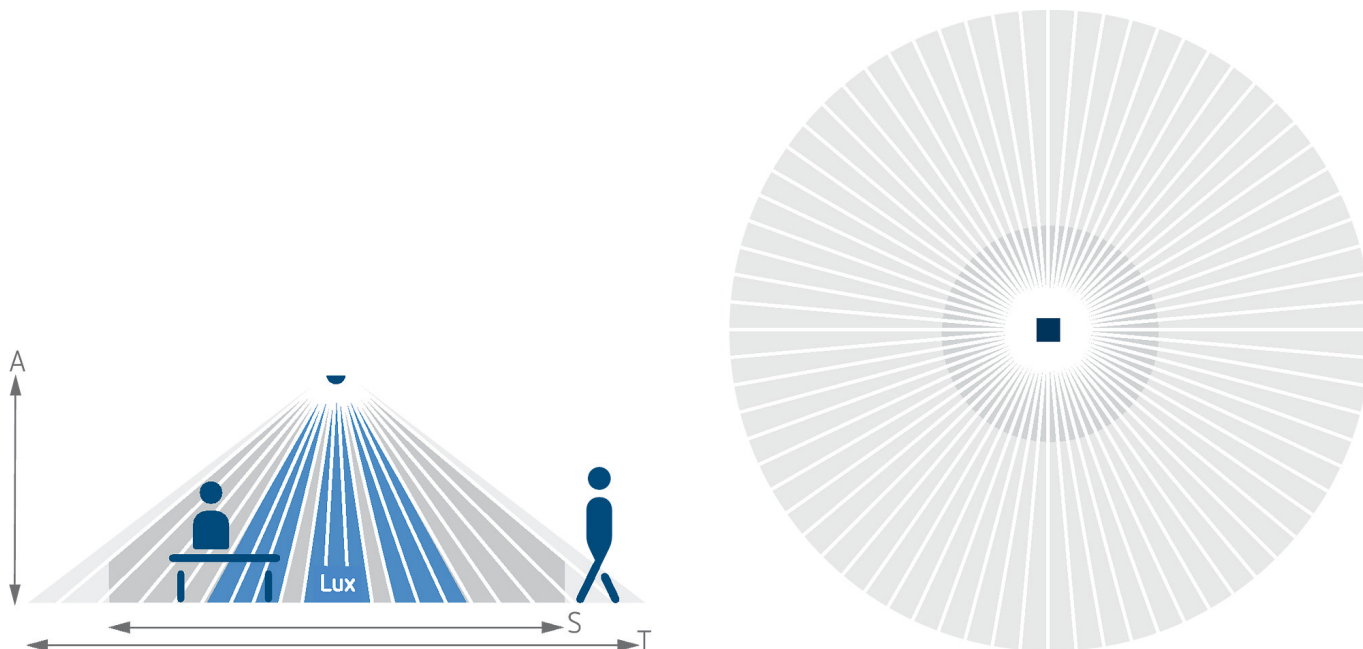
additional information at: www.theben.de/product/2080095

The load data are determined with exemplary selected illuminants and are therefore typical data due to the large number of available products.

08/03/2022

Page 2 of 5

Detection range for planning applications



Detection range according to Sensnorm IEC 63180

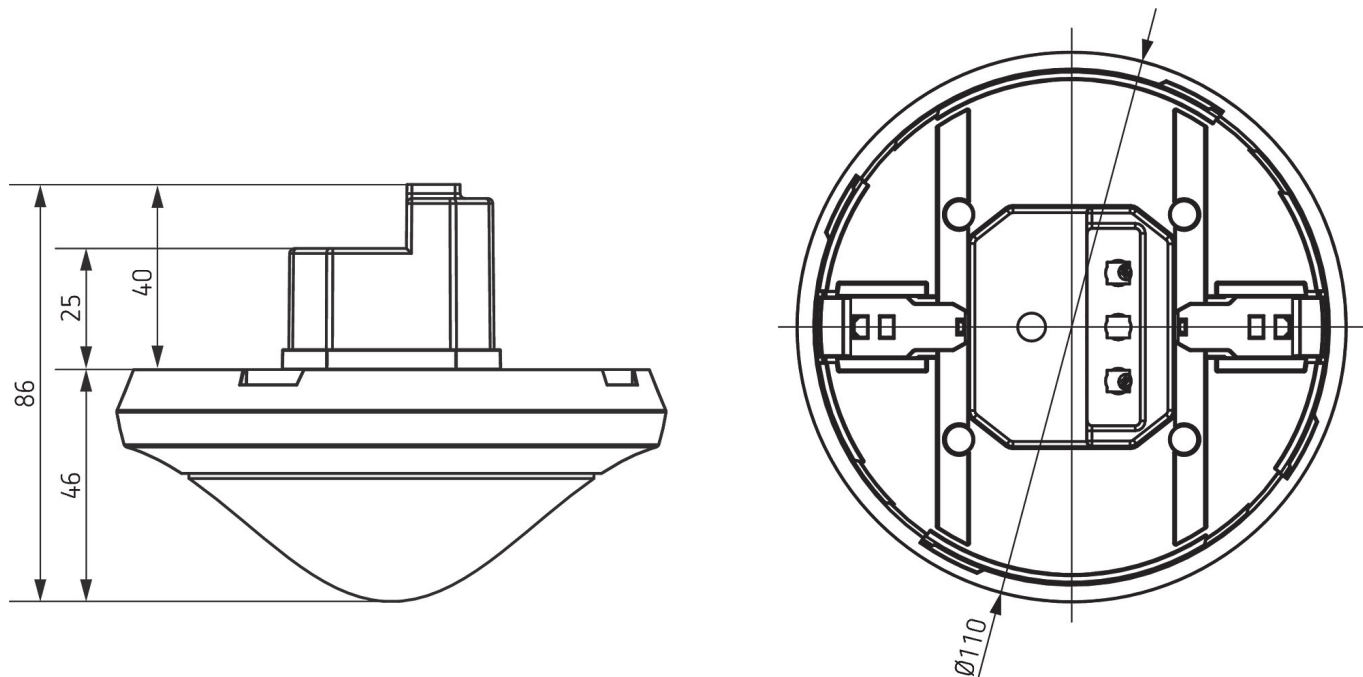
Mounting height (A)	Diagonally (T)	Head on to (R)	Sitting (S)
2.5 m	434 m ² 23.5 m	55 m ² 8.4 m	50 m ² 8 m
10 m	707 m ² 30 m	79 m ² 10 m	
15 m	616 m ² 28 m	141 m ² 13.4 m	

theRonda P360 DALI-2 HCL UP WH

Item no.: 2080095

theben

Scale drawings



Accessories

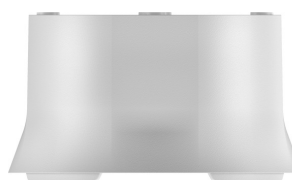
theSenda S
Item no.: 9070911



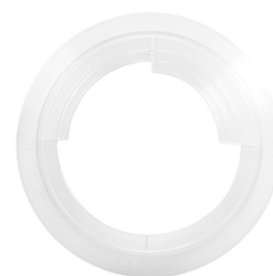
Surface frame 110A GR
Item no.: 9070913



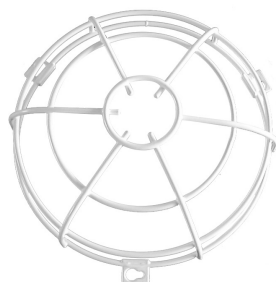
Surface frame 110A WH
Item no.: 9070912



Masking clip
Item no.: 9070921



QuickSafe
Item no.: 9070531



theSenda B
Item no.: 9070985



Cover 110 GR
Item no.: 9070591



Ceiling installation box 68A
Item no.: 9070992



Subject to technical changes and misprints

additional information at: www.theben.de/product/2080095

The load data are determined with exemplary selected illuminants and are therefore typical data due to the large number of available products.

08/03/2022

Page 4 of 5

theRonda P360 DALI-2 HCL UP WH

Item no.: 2080095

theben

Accessories

Surface frame 110A BK

Item no.: 9070600



Cover 110 BK

Item no.: 9070851

