

thePrema S360 KNX UP WH / GR / BK

Item no.: 2079500 / 2079501 / 2079502

theben
energy saving comfort

Presence and motion detectors Indoor detectors

Description

- KNX Passive infrared presence detector for ceiling mounting
- Square detection range of 360° (up to 64 m²) for safe and easy planning
- 2 channel light C1, C2 with 1 light measurement
- 2 presence channels C4, C5 can be set individually
- Adaptable 1 channel light measurement
- Mixed light measurement suitable for LEDs, fluorescent lamps (FL/PL/ESL) and halogen/incandescent lamps
- Can be used as fully or semi-automatic, switchable
- Switch or constant light control mode with stand-by function
- Dimmable lighting in switch mode with stand-by function
- Brightness switching value or set point value can be set in lux using parameters, on the device itself or via remote control
- Teaching in of the brightness switching value or the set point value
- Room correction factor setting for brightness measurement calibration
- Light time delay can be set using parameters, on the device itself or via remote control
- Switch on delay and time delay for presence can be set
- Detection sensitivity can be set
- Self-learning time delay
- Reduced time delay in the event of a shorter stay in the room (short presence)
- Scenario functions
- Extremely easy setting of energy saving characteristics with the new "eco plus" function
- Test mode for checking function and detection range
- Parallel switching of several detectors in Master/Slave or Master/Master possible
- User remote control and management-remote control (optional)
- Room monitoring
- * According to warranty terms and conditions, see www.theben.de/en/guarantee



5 years
guarantee*



Subject to technical changes and misprints

additional information at: www.theben.de/product/2079500

The load data are determined with exemplary selected illuminants and are therefore typical data due to the large number of available products.

thePrema S360 KNX UP WH / GR / BK

Item no.: 2079500 / 2079501 / 2079502

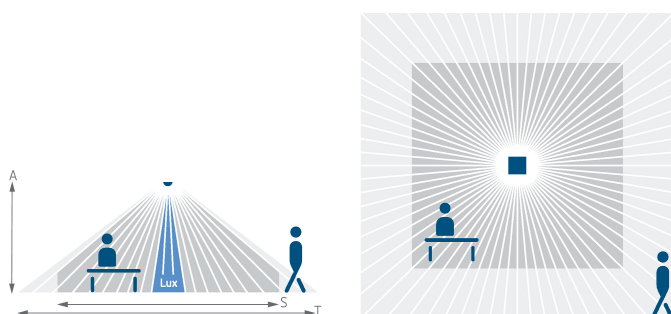
theben
energy saving comfort

Technical data

thePrema S360 KNX UP WH / GR / BK		thePrema S360 KNX UP WH / GR / BK	
Installation height	2 – 3.5 m	Light measurement	Mixed light measurement
Minimum height	> 1,7 m	Presence switch-off delay	10 s - 120 min
Measuring range brightness	5 – 3000 lx	Switch-on delay presence	10 s – 30 min / inactive
Detection angle	360°	Ambient temperature	0°C ... 50°C
Type of connection	KNX bus terminal	Detection range	49 m ² (7,0 x 7,0 m)
Installation type	Ceiling installation	Colour	White / Grey / Black
Light switch-off delay	30 s – 60 min	Type of protection	IP 40 (when fitted)
Lamps	Energy saving lamps, fluorescent lamps, Incandescent/halogen lamps, LEDs		

Detection range for planning applications

Mounting height (A)	Sitting (S)	Walking (T)
2 m	9 m ² 3 m x 3 m	20 m ² 4.5 m x 4.5 m ± 0.5 m
2.5 m	16 m ² 4 m x 4 m	36 m ² 6 m x 6 m ± 0.5 m
3 m	25 m ² 5 m x 5 m	49 m ² 7 m x 7 m ± 1 m
3.5 m		64 m ² 8 m x 8 m ± 1 m



Detection range according to Sensnorm IEC 63180

Mounting height (A)	Diagonally (T)	Head on to (R)	Sitting (S)
2.5 m	40 m ² 6.3 m x 6.3 m	22 m ² 4.7 m x 4.7 m	20 m ² 4.5 m x 4.5 m

Subject to technical changes and misprints

additional information at: www.theben.de/product/2079500

The load data are determined with exemplary selected illuminants and are therefore typical data due to the large number of available products.

20/07/2020

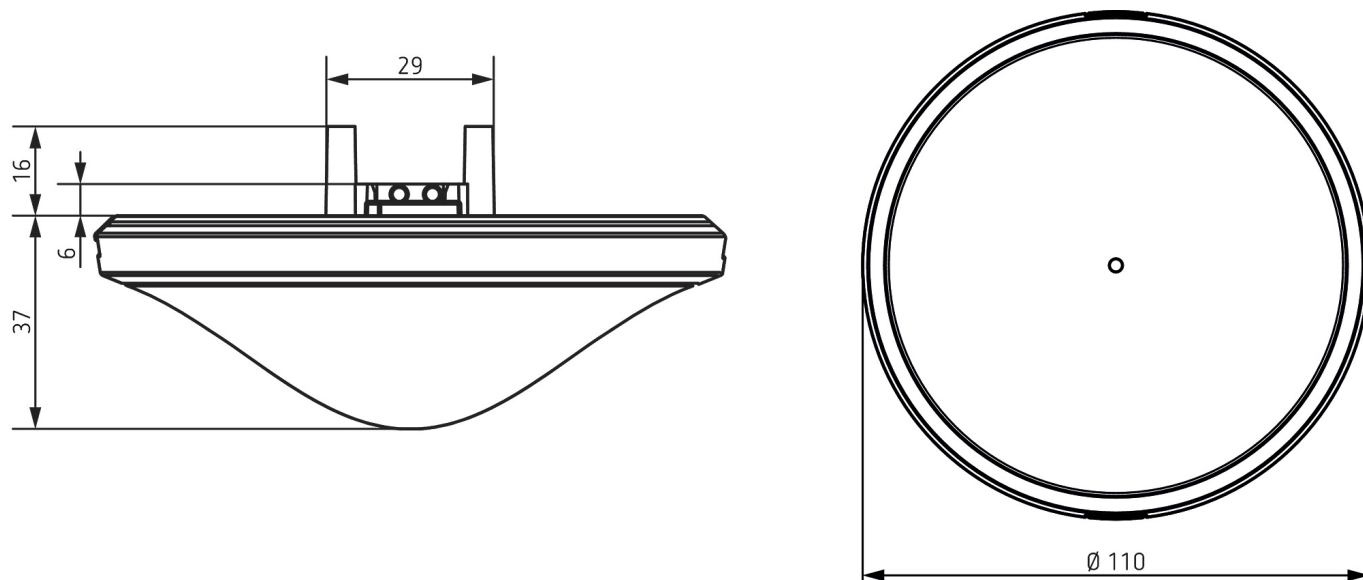
Page 2 of 3

thePrema S360 KNX UP WH / GR / BK

Item no.: 2079500 / 2079501 / 2079502

theben
energy saving comfort

Scale drawings



Accessories

theSenda P
Item no.: 9070910



theSenda S
Item no.: 9070911



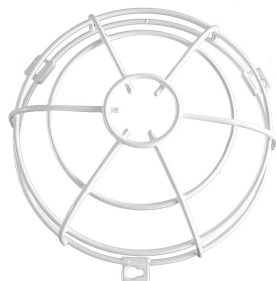
Ceiling installation box 73A
Item no.: 9070917



Surface frame 110A WH
Item no.: 9070912



QuickSafe
Item no.: 9070531



Surface frame 110B WH
Item no.: 9070918



theSenda B
Item no.: 9070985



Ceiling installation box 68A
Item no.: 9070992



Subject to technical changes and misprints

additional information at: www.theben.de/product/2079500

The load data are determined with exemplary selected illuminants and are therefore typical data due to the large number of available products.

20/07/2020
Page 3 of 3