

Satellite insert 3-wire

Art. no.: 1723 NE

Operating instructions**1 Safety instructions**

Electrical devices may only be mounted and connected by electrically skilled persons.

Serious injuries, fire or property damage possible. Please read and follow manual fully.

Danger of electric shock. Always disconnect before carrying out work on the device or load. In so doing, take all the circuit breakers into account, which support dangerous voltages to the device and or load.

These instructions are an integral part of the product, and must remain with the end customer.

2 Intended use

- Extension unit operation of suitable inserts
- Extension for extending the detection field of motion and presence detectors
- Central control of multiple main devices
- Operation with suitable cover from LB management
- Mounting in appliance box according to DIN 49073

3 Operation

The function of the extension depends on the cover of the extension as well as on the insert and cover of the main device.

Different applications are possible due to various combination options of covers and inserts of the LB management system. As a result, these instructions only describe the essential basic functions of the extension unit operation via a push-button. Operations with different covers is described in the instructions for the cover in question.

Example 1: A push-button is fitted on a switching or dimming insert on the main device**Switch light**

- Press push-button at the top.
Light is switched on.
- Press push-button at the bottom.
Light is switched off.

Adjust the brightness (only dimming insert)

- Long press the push-button at the top or bottom.

Save switch-on brightness (only dimming insert)

- Adjust the brightness.
- Press the button cover over entire surface for longer than 4 seconds.

Example 2: A motion or presence detector is fitted on a switch insert on the main device**Switch light**

- Press push-button at the top.
Light is switched on.
- Press push-button at the bottom.
Presence detector: Light is switched off.
Motion detector: Run-on time will be restarted.

4 Information for electrically skilled persons

Connecting and mounting the devices

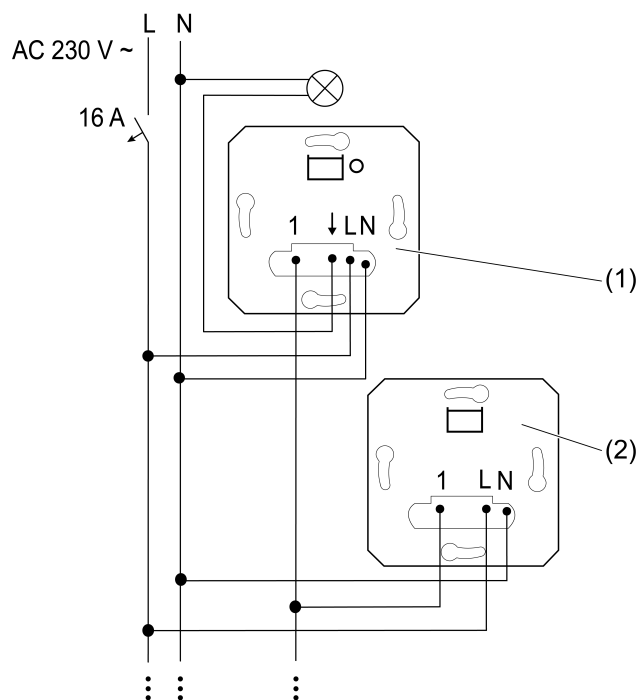


Figure 1: Connection diagram 3-wire extensions on a main device

i Up to ten 3-wire extensions (2) can be connected to a main device (1) (Figure 1).

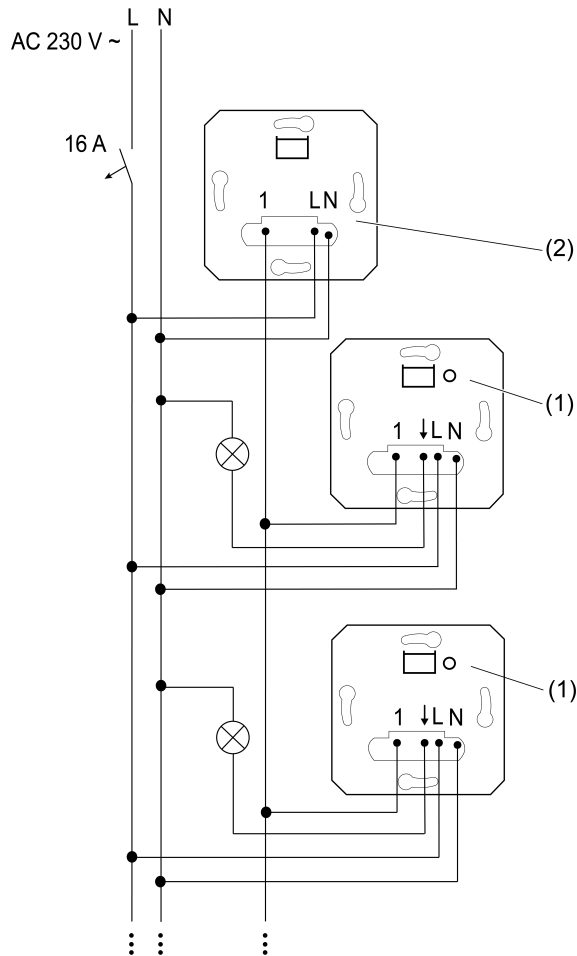


Figure 2: Connection diagram for multiple main devices to a 3-wire extension for the central control

i Up to five identical or different main devices (1) can be controlled together by a 3-wire extension (2) (Figure 2).

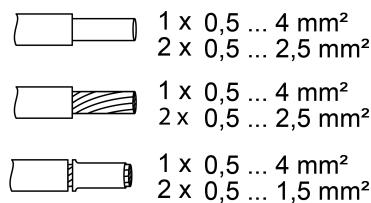


Figure 3: Clampable cable cross-sections

- Connect extension (2) according to connection diagram (Figure 1) and (Figure 2). Note clampable cable cross-sections (Figure 3).
- Install insert in appliance box, device connection terminals must be at the bottom.
- i** Do not attach or replace the cover under voltage, otherwise this might cause a malfunction.
- Attach the frame and the cover.
- Switch on mains voltage.

5 Technical data

Rated voltage
Mains frequency

AC 230 V~
50 / 60 Hz

Standby load depending on the cover	approx. 0.1 ... 0.5 W
Ambient temperature	-20...+45 °C
Storage/transport temperature	-20 ... +70 °C
Total length of extension unit cable	max. 100 m

6 Troubleshooting

Operation via extension does not function properly

Cause: power and extension unit cables are routed in a shared cable. Interferences of the power cable in the extension unit cable can lead to errors in the telegram transmission.

Route power and extension unit cables in separate cables.

Decrease current load on the power cable.

7 Warranty

The warranty is provided in accordance with statutory requirements via the specialist trade.

ALBRECHT JUNG GMBH & CO. KG

Volmestraße 1

58579 Schalksmühle

GERMANY

Telefon: +49 2355 806-0

Telefax: +49 2355 806-204

kundencenter@jung.de

www.jung.de