

Relay switch insert 1-channel

Art. no.: 1701 SE

Operating instructions

1 Safety instructions



Electrical devices may only be mounted and connected by electrically skilled persons.

Serious injuries, fire or property damage possible. Please read and follow manual fully.

Danger of electric shock. Always disconnect before carrying out work on the device or load. In so doing, take all the circuit breakers into account, which support dangerous voltages to the device and or load.

These instructions are an integral part of the product, and must remain with the end customer.

2 Intended use

- Switching of lighting and motors
- Operation with suitable cover from LB management
- Controlling of electric underfloor heating systems and electrothermal valve drives in combination with a room temperature controller cover
- Mounting in appliance box according to DIN 49073

Product characteristics

- Connection of extensions possible
- Run-on times adjustable

3 Operation

These instructions describe operation with a button cover. Operation with a different cover is described in the instructions for the cover in question. The operation on the main device and the 2-wire extension is identical.

Switch load

- Press the button.
The load switches on or off.

4 Information for electrically skilled persons



DANGER!

Mortal danger of electric shock.

Disconnect the device. Cover up live parts.

Connecting and fitting the device

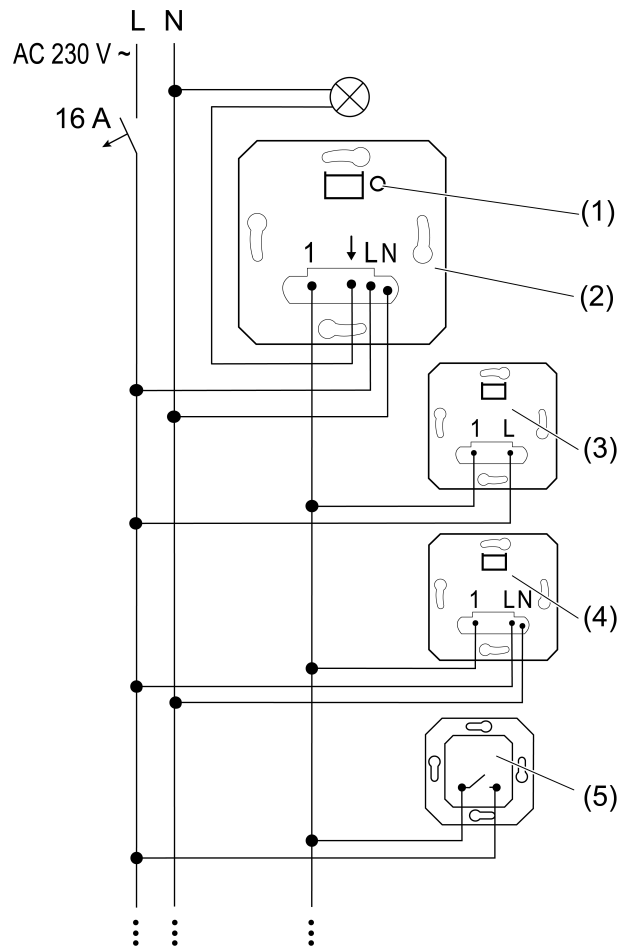


Figure 1: Connection diagram with optional extensions

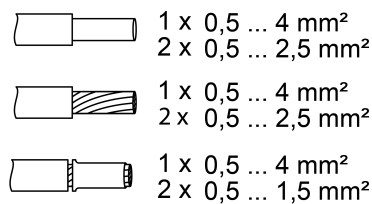


Figure 2: Terminal-specific cable cross-section:

- Connect the switch insert (2) according to the connection diagram (Figure 1). Note clampable cable cross-sections (Figure 2).
- Connect the 2-wire extension (3), the 3-wire extension (4) and as an option, the push-button with NO contact (5).
- i** Lit push-buttons must have a separate N terminal.
- Fit the switch insert in the appliance box, the connection terminals must be at the bottom.
- i** Do not attach or replace the cover under voltage, otherwise this might cause a malfunction.
- Attach the frame and the cover.
- Switch on mains voltage.
- i** The load can be switched by briefly pressing the **TEST** button (1).

Set run-on time

For the automatic switching-off of the load, run-on times can be set, see table.

- i** During the run-on time it cannot be restarted by pressing again.
- Press the **TEST** button (1) for more than 4 seconds.
LED lights up in the colour of the set run-on time, see table.

LED signalling

LED colour	Set run-on time
green	Switching without run-on time
white	Run-on time: 1 minute
blue	Run-on time: 5 minutes
yellow	Run-on time: 30 minutes
red	Run-on time: 60 minutes

- Release the **TEST** button (1) briefly and press it repeatedly until the LED lights up in the colour of the desired run-on time.
The set run-on time is automatically saved after 30 seconds or after pressing the **TEST** button (1) for approx. 4 seconds. When the LED goes out, the saving process was successful.

Connecting and mounting the device as a room temperature controller (Figure 3)

Recommended installation height: 1.50 m.

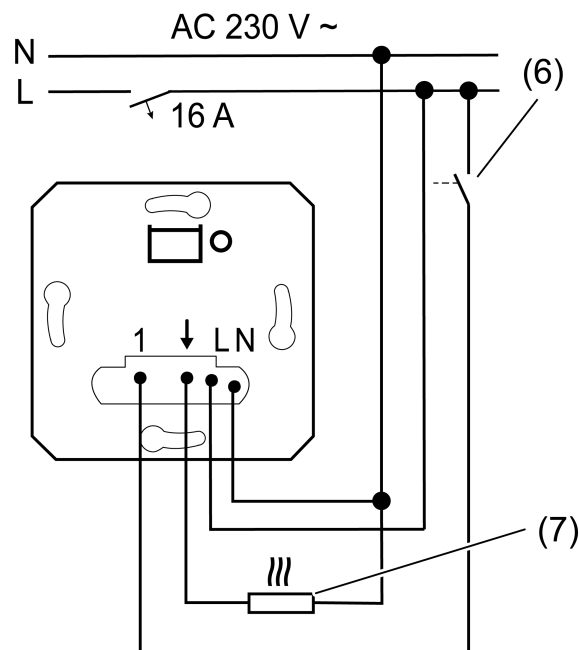


Figure 3: Connection diagram in combination with room temperature controller cover

- (6) Switching contact for switching to cooling mode
- (7) Electric underfloor heating (max. 16 A) or electrothermal valve drives

- i** If 230 V is applied to extension input 1, cooling mode is active.

5 Technical data

Rated voltage

AC 230 V~

Relay switch insert 1-channel

Mains frequency	50 / 60 Hz
Standby load depending on the cover	approx. 0.1 ... 0.5 W
Switching current at 35 °C	
Ohmic	16 A (AC1)
Minimum switching current AC	100 mA
Connected load	
Incandescent lamps	2300 W
HV halogen lamps	2300 W
Electronic transformers	1500 W
Inductive transformers	1000 VA
HV-LED lamps	typ. 400 W
Compact fl lamp.	typ. 500 W
Fluorescent lamps, uncompensated	1200 VA
Switching current motors	6 A
Capacitive load	920 VA (115 µF)
Power reduction	
per 5 °C in excess of 35 °C	-5%
when installed in wooden or dry construction walls	-15%
when installed in multiple combinations	-20%
Ambient temperature	-25 ... +45 °C
Storage/transport temperature	-20 ... +70 °C
Number of extension units	
2-wire, push-button	unlimited
3-wire, rotary dimmer extension	10

6 Warranty

The warranty is provided in accordance with statutory requirements via the specialist trade.

ALBRECHT JUNG GMBH & CO. KG

Volmestraße 1
58579 Schalksmühle
GERMANY

Telefon: +49 2355 806-0
Telefax: +49 2355 806-204
kundencenter@jung.de
www.jung.de