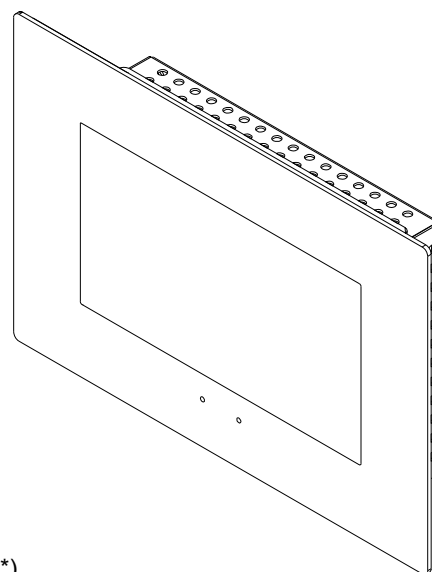


MAIN FEATURES

Control unit for KNX-based home and building automation installations, featuring a 7" TFT capacitive touch screen, integrated web server, and video door phone function. GLASS (full glass front) and CLASSIC (interchangeable front frames) models available.



- Function highlights:
 - Control and monitoring of KNX devices
 - Simple, user-friendly navigation through floorplans and zones
 - Up to 512 configurable pages, with up to 8 control functions per page (more than 4000 functions)
 - Customizable background images
 - User-editable scenes
 - Weekly time schedules
 - Alarm monitoring with event log
 - Presence simulation with day and night schedules
 - Event notifications by e-mail and GSM (*)
 - Logic functions (logic gates, comparators, timers, etc.)
 - Four independent thermostats
 - Touch gestures: 4 directional gestures + multitouch gesture
 - Video door phone function, with full duplex audio and echo cancellation (**)
 - IP camera monitoring (**)
- Remote control from smartphones, tablets, and PCs
- Integrated stereo loudspeakers and digital microphone
- Four multi-function inputs, individually configurable as binary or temperature probe inputs
- Real-time clock (RTC) with backup battery
- Integrated KNX bus coupling unit
- Very low power consumption

(*) DW-GSM expansion module required for GSM notifications

(**) Please check compatibility

TECHNICAL SPECIFICATIONS

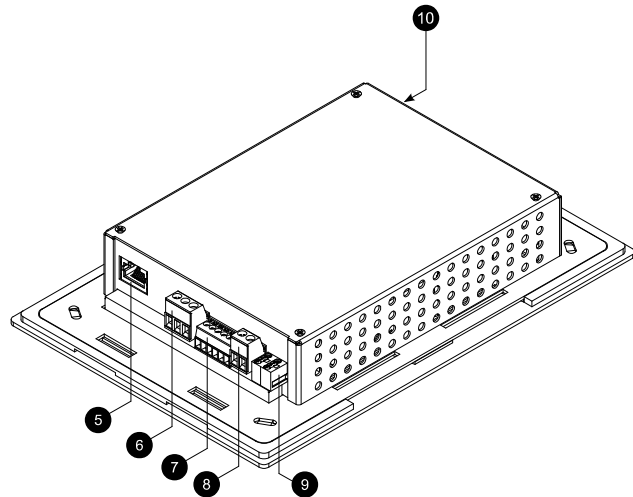
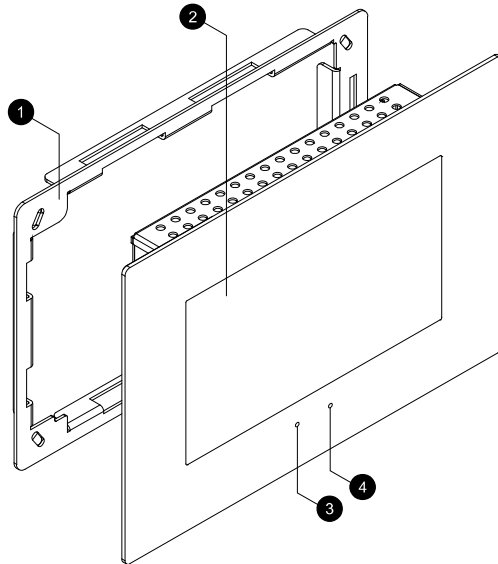
Mechanical	Form factor	In-wall, flush mounted unit	
	Dimensions	228 x 156 x 36 / 39 mm (GLASS / CLASSIC)	
	Weight	GLASS: 715 g (excl. mounting chassis) + 125 g (mounting chassis) CLASSIC: 650 g (excl. front frame) + 125 g (front frame)	
	Mounting box	Wall mount-box, ref. E-C557 Dimensions: 200 x 130 x 60 mm	
Environment	Storage temperature	-20..70 °C	
	Operating temperature	-0..50 °C	
	Relative humidity	10..90% (non-condensing)	
Power supply	Supply voltage	12 VDC ± 5%	
	Power consumption	Typ. 2.3 W (energy saving) / 4.7 W (regular operation), max. 17 W	
	Connection	Pluggable terminal block, 5.08 mm pitch	
	Recommended wiring	Conductor section 1.5 mm ²	
	Power supply unit (included)	12 VDC / 25 W PSU, DIN-rail mounted. Width: 53 mm Input voltage 90-264 VAC @ 50-60 Hz	
User interface	Display	Type	Widescreen 7" TFT display (16:9)
		Resolution	1024 x 600 pixels
		Colour	24 bpp (16.7 million colours)
		Contrast	800:1 (typ.)
		Backlight	Low power white LED backlight, with energy saving mode
		Luminance	Typ. 210 / 400 cd/m ² (GLASS / CLASSIC), software controlled
		Viewing angle	Typ. 80x80° (L/R), 60x70° (Top/Bottom)
		Touch screen	Projected capacitive multitouch
	Audio	Cover glass	2mm high visibility glass (GLASS model only)
		Speakers	2W + 2W stereo loudspeakers
	Microphone	Integrated digital microphone	

User interface	Misc.	Indicators	3-colour status led Buzzer	
Communications	KNX	Type	KNX TP1 bus	
		Connection	Standard KNX TP1 connector	
		Consumption	Typ. 5 mA, max. 10 mA @ 29 VDC	
	Ethernet	Type	Ethernet 10/100/1000 BASE-T interface	
		Connection	RJ45 modular connector	
		Rec. wiring	Twisted pair, 0.5 mm ² section (CAT5)	
	Expansion	Type	RS-485 bus	
Connection		Pluggable terminal block, 5.08 mm pitch		
Rec. wiring		Twisted pair, 0.5 mm ² section (CAT5)		
Other ports	USB	Type	USB 2.0	
		Connection	USB type A connector	
		Output power	600 mA max.	
Inputs	Number of inputs		4 independent inputs	
	Type		Individually configurable as binary (pushbutton and switch/sensor modes) or temperature probe inputs	
	Connection		Pluggable terminal block, 3.5 mm pitch	
	Rec. wiring		Conductor section 0.2 to 1.5 mm ²	
	Binary inputs	Contact type	Dry voltage contact between the two input terminals	
		Detection time	Typical 50 ms (switch/sensor mode)	
		Pulse width	Minimum 10 ms (pushbutton mode)	
		Cable length	Maximum recommended length: 50 m	
Temp. probe inputs		External temperature probe, ref. DW-TS-N1PB		
Real time clock	Drift		± 20 ppm @ 25°C	
	Battery backup		CR1220 3V, 35 mAh	
Compliance	Directives		Directive 2014/30/EC Directive 2011/65/EC	
	Standards		EN 50090-2-2 EN 50491-5-1:2010 EN 50491-5-2:2010 EN 50581:2012	

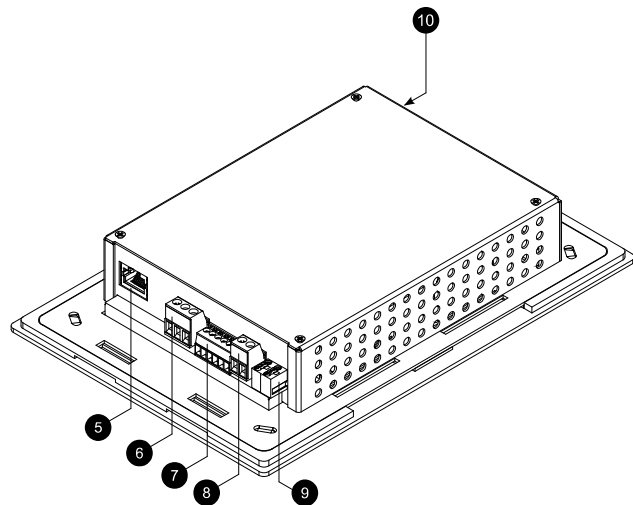
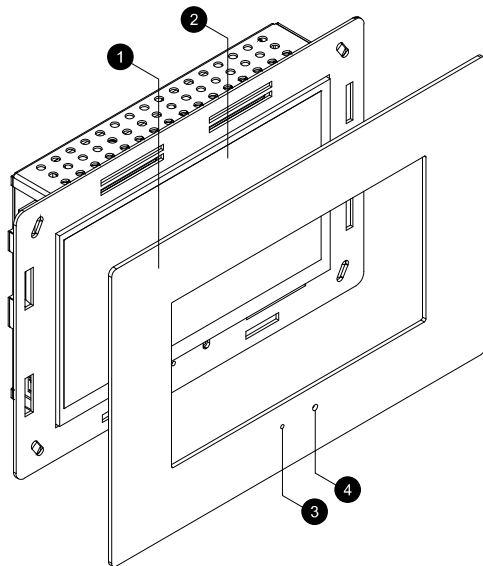
Specifications subject to change without notice

CONNECTORS AND OTHER ELEMENTS

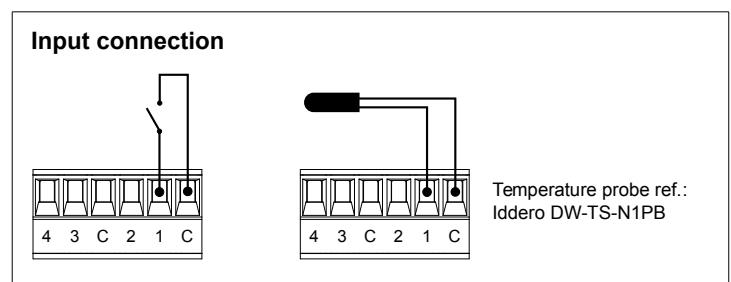
GLASS Series



CLASSIC Series



1. Mounting chassis (GLASS) / Front frame (CLASSIC)
2. TFT touch screen + loudspeakers (hidden)
3. Digital microphone
4. LED status indicator
5. Ethernet connector
6. Expansion connector (RS-485)
7. Multifunction inputs connector
8. Power supply connector
9. KNX TP1 bus connector
10. USB connector



Datasheet – HC3-KNX

7" Capacitive Touch Panel with IP Connectivity and Door Phone Function

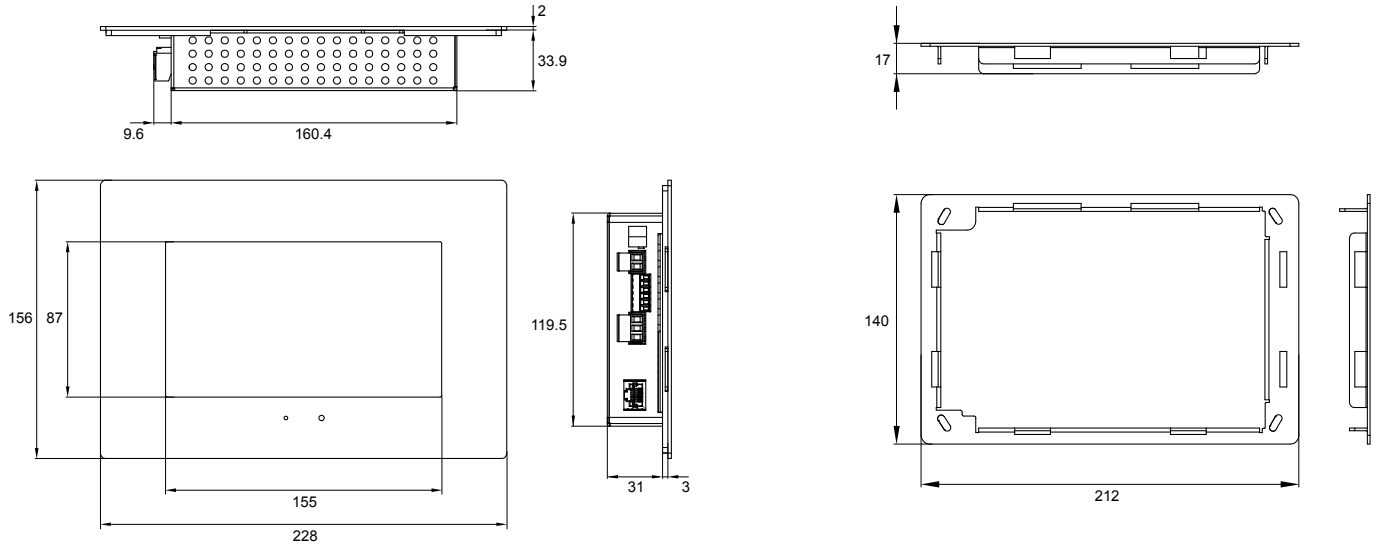


090119-02

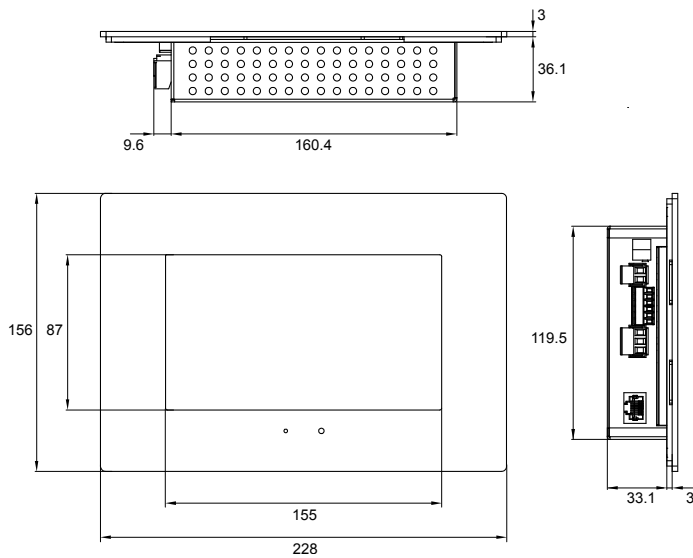
DIMENSIONS

(All dimensions in mm)

GLASS Series

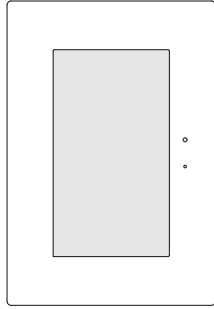


CLASSIC Series



IMPORTANT: Only qualified electricians should install, service, or manipulate this equipment. Existing regulations for the prevention of accidents must be observed, as well as any national or local codes and regulations and standard safety precautions.

HC3-KNX GLASS



EN

INSTALLATION NOTES:

1. Select installation height to allow for direct line of sight
2. Do not expose to direct sun light

DE

INSTALLATIONSANMERKUNGEN:

1. Wählen Sie eine Installationshöhe, die eine direkte Blicklinie ermöglicht
2. Installieren Sie dieses Produkt nicht im direkten Sonnenlicht

ES

NOTAS DE INSTALACIÓN:

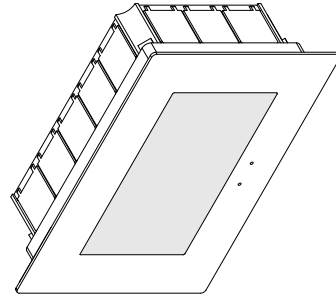
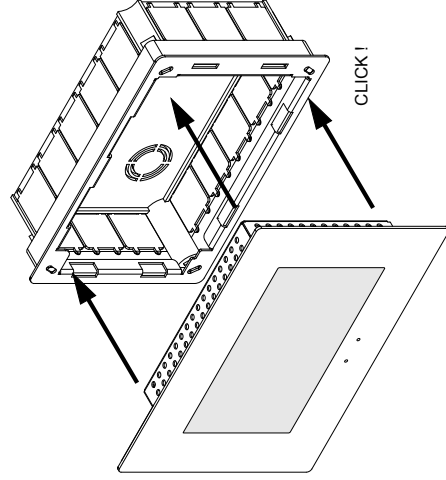
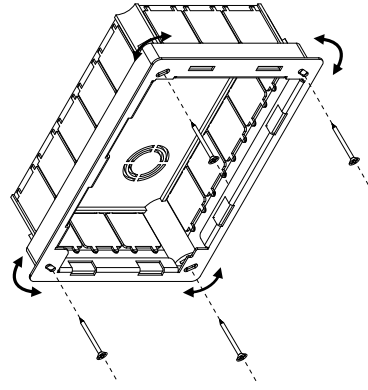
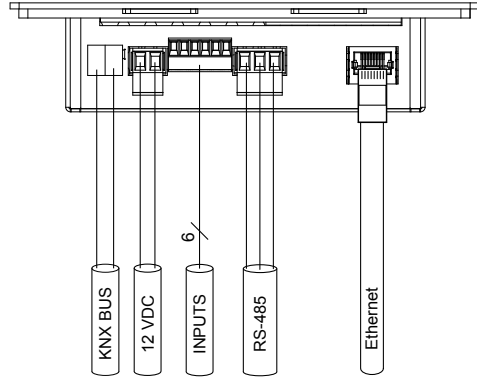
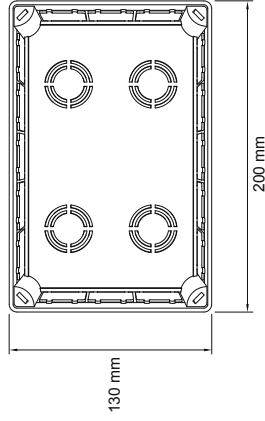
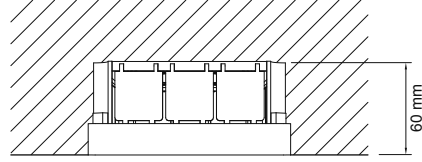
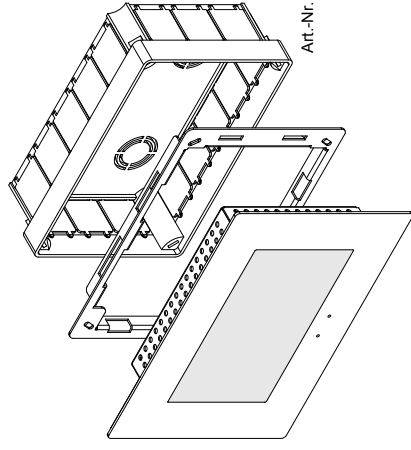
1. Seleccionar la altura de instalación de forma que permita línea de visión directa
2. No instalar en lugares donde la luz solar incida directamente

FR

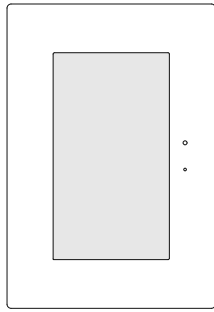
NOTES D'INSTALLATION:

1. Sélectionnez la hauteur d'installation de façon qu'elle permette ligne de visée directe
2. Ne pas exposer directement au soleil

Art.-Nr. E-C557



HC3-KNX CLASSIC



- EN**
INSTALLATION NOTES:
1. Select installation height to allow for direct line of sight
2. Do not expose to direct sun light

- DE**
INSTALLATIONSANMERKUNGEN:
1. Wählen Sie eine Installationshöhe, die eine direkte Blicklinie ermöglicht
2. Installieren Sie dieses Produkt nicht im direkten Sonnenlicht

- ES**
NOTAS DE INSTALACIÓN:
1. Seleccionar la altura de instalación de forma que permita línea de visión directa
2. No instalar en lugares donde la luz solar incida directamente

- FR**
NOTES D'INSTALLATION:
1. Sélectionnez la hauteur d'installation de façon qu'elle permette ligne de visée directe
2. Ne pas exposer directement au soleil

Art.-Nr. E-C557

