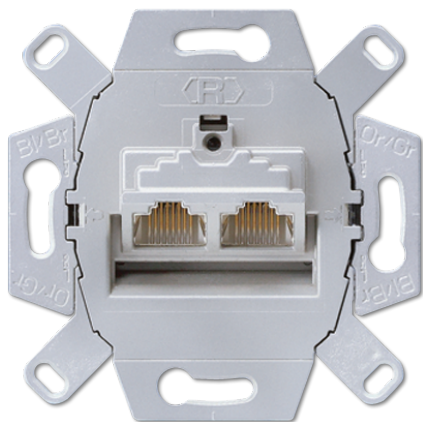


# Product data sheet

Modular jack socket, cat. 6 / cat. 6A iso




---

## Reference number

---

UAE 8-8 UPOK6

### Modular jack socket, cat. 6 / cat. 6A iso

screw fixing only, without claws  
for network applications  
LSA connection terminal, shielded  
variable running of cable without sharp bending from all directions possible  
suitable for standard wall boxes

RJ 45, category 6A, class EA (10 Gbit/s / 500 MHz),  
Corresponds to Cat. 6A acc. to ISO/IEC 11801 Amendment 2 and Cat. 6A acc. to TIA/  
EIA-568-B.2-10 2008  
suitable for PoE+ acc. to IEEE 802.3at  
≥ 1000 insertion/removal cycles, suitable for RJ 11/12

#### Centre plates:

AS / A ranges: ref.-no. A 569-2 BFPLUA ..  
CD range: ref.-no. CD 569-2 UA .., CD 569-2 NAUA .., CD 590 KL LAN ..  
SL range: ref.-no. SL 569-2 UA ..  
LS range: ref.-no. LS 969-2 UA .., LS 969-2 NAUA .., .. 2969-2 UA .., .. 2969-2 NAUA ..,  
LS 990 BF KL LAN .., .. 2990 KL LAN ..

#### Version:

2 x 8-pole, for 2 terminals (separate)

---