

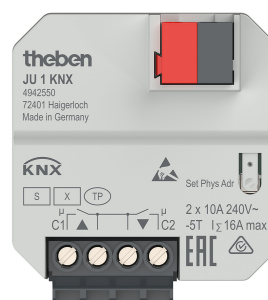
JU 1 KNX

Item no.: 4942550

Home and Building control KNX

Description

- 1-way flush-mounted blind/switch actuator
- For controlling drives for blinds, roller blinds, sun and vision protection devices, skylights, and ventilation flaps
- Integrated automatic ventilation function
- Flexible configuration options: blind actuator or 2-channel switch actuator
- 2 binary inputs for floating contacts such as buttons, switches, window contacts, temperature sensor (I2)
- The binary inputs are assigned to the output as standard (function test before programming)
- Integrated temperature monitoring for increased operating safety, e.g. in the event of overload

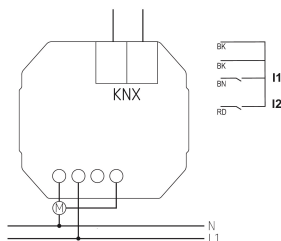


Technical data

JU 1 KNX	
Operating voltage KNX	Bus voltage, <4 mA
Installation type	Flush-mounted
Type of connection	Terminal screws Bus connection: KNX bus terminal

JU 1 KNX	
Number of channels	1
Type of contact	10 A
Ambient temperature	-5°C ... 45°C

Connection example



Subject to technical changes and misprints

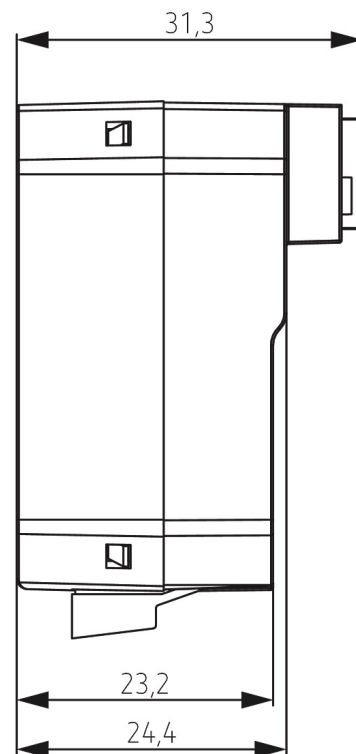
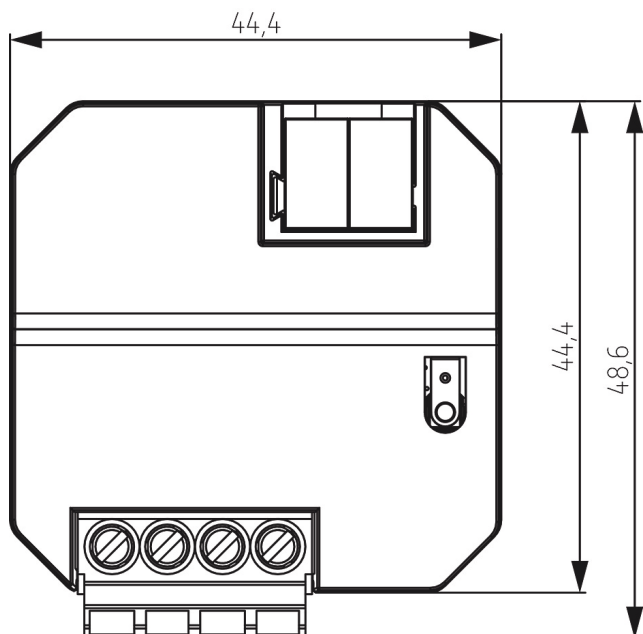
additional information at: www.theben.de/product/4942550

The load data are determined with exemplary selected illuminants and are therefore typical data due to the large number of available products.

JU 1 KNX

Item no.: 4942550

Scale drawings



Accessories

Temperature sensor
Item no.: 9070321



Temperature sensor RAMSES IP
65
Item no.: 9070459

