

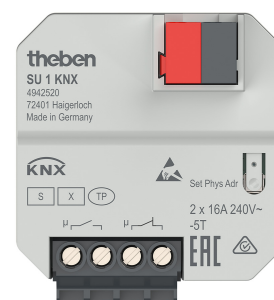
SU 1 KNX

Item no.: 4942520

Home and Building control KNX

Description

- 1-way flush-mounted switch actuator
- 1x NO contact & 1x NC contact with common control
- Adjustable features: NC/NO contact, switching, delayed switching, pulse function
- 2 binary inputs for floating contacts such as buttons, switches, temperature sensor (I2)
- The binary inputs are assigned to the switch output as standard (function test before programming)
- Integrated temperature monitoring for increased operating safety, e.g. in the event of overload

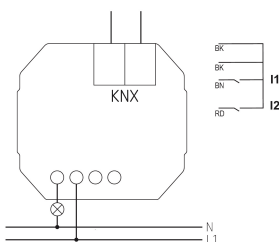


Technical data

SU 1 KNX	
Operating voltage KNX	Bus voltage, <4 mA
Installation type	Flush-mounted
Type of connection	Terminal screws Bus connection: KNX bus terminal
Number of channels	1
Type of contact	16 A
Incandescent/halogen lamp load	2000 W
Energy saving lamps	300 W

SU 1 KNX	
LED lamp < 2 W	50 W
LED lamp 2-8 W	600 W
LED lamp > 8 W	600 W
Inrush current	max. 740 A / 200 µs
Type	Base module
Ambient temperature	-5°C ... 45°C

Connection example



Subject to technical changes and misprints

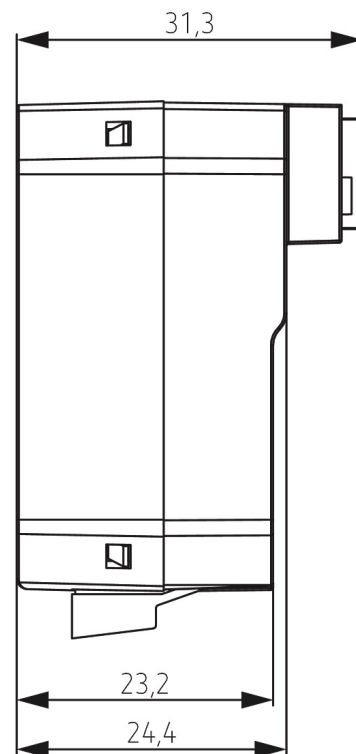
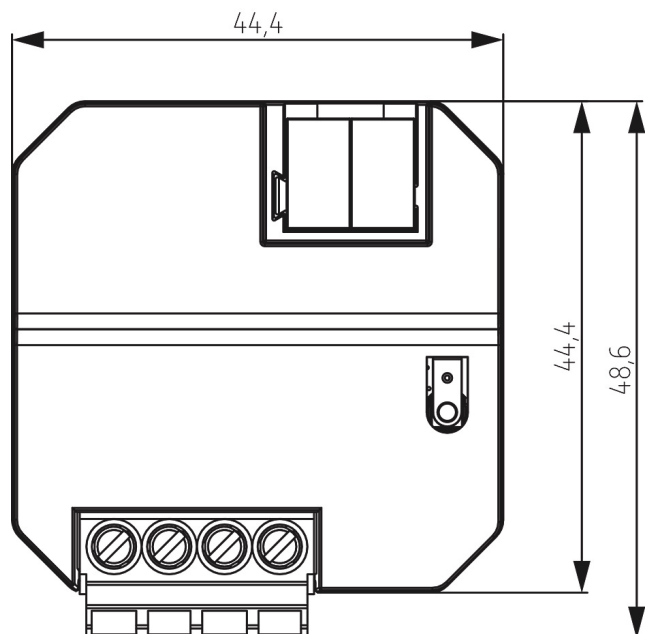
additional information at: www.theben.de/product/4942520

The load data are determined with exemplary selected illuminants and are therefore typical data due to the large number of available products.

SU 1 KNX

Item no.: 4942520

Scale drawings



Accessories

Temperature sensor
Item no.: 9070321



Temperature sensor RAMSES IP
65
Item no.: 9070459

