

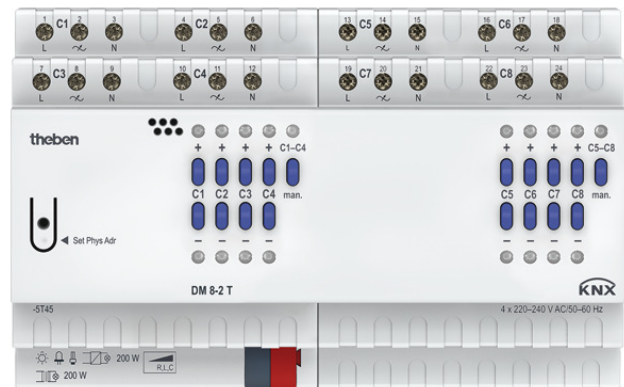
DM 8-2 T KNX

Item no.: 4940285

Home and Building control
KNX

Description

- 8-way universal dimmer actuator FIX2
- For dimming dimmable LED, incandescent lamps, LV, HV halogen lamps and energy saving lamps
- Also suitable for dimming of dimmable energy-saving lamps
- Also suitable for controlling fans
- LED switching status display for each channel
- Manual operation on device
- Dimming output: 200 W per channel
- Automatic load detection (can be deactivated)
- For R, L and C loads

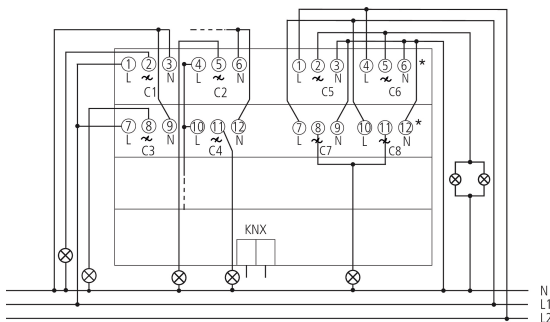


Technical data

DM 8-2 T KNX	
Operating voltage KNX	Bus voltage, ≤17.5 mA
Operating voltage	230 – 240 V AC 50 – 60 Hz
Frequency	50 – 60 Hz
Stand-by consumption	<1 W
Width	8 modules
Installation type	DIN rail
Type of connection	Terminal screws Bus connection: KNX bus terminal
Max. cable cross section	Solid wire: 0.5 mm ² (Ø 0.8) to 4 mm ² Stranded wire with end sleeve: 0.5 mm ² to 2.5 mm ²
Number of channels	8

DM 8-2 T KNX	
Lamp types	Incandescent, low-voltage and high-voltage halogen and dimmable energy saving lamps and LED
Incandescent/halogen lamp load	200 W
LED lamp	Trailing edge (RC-mode): 200 W
Energy saving lamps	Trailing edge (RC-mode): 200 W
Switching capacity min.	2 W
Max. cable length	100 m
Ambient temperature	-5°C ... 45°C
Type of protection	IP 20
Protection class	II according to EN 60 669

Connection example



Subject to technical changes and misprints

additional information at: www.theben.de/product/4940285

The load data are determined with exemplary selected illuminants and are therefore typical data due to the large number of available products.

DM 8-2 T KNX

Item no.: 4940285

Scale drawings

