

DM 2 T KNX

Item no.: 4940270

Home and Building control KNX

Description

- 2-way universal dimmer actuator FIX1
- For dimming dimmable LED, incandescent lamps, LV, HV halogen lamps and energy saving lamps
- Also suitable for dimming of dimmable energy-saving lamps
- Also suitable for controlling fans
- LED switching status display for each channel
- Manual operation on device (even without bus connection)
- Dimming output: 400 W/VA per channel or 800 W/VA in parallel operation
- The dimming output can be upgraded by using additional dimmboosters "DMB 1 T KNX" - dimming output 300 W/VA for each dimmbooster. Output to a maximum of 2000 W/VA by using max. 4 boosters possible
- Automatic load detection (can be deactivated)
- For R, L and C loads



Technical data

DM 2 T KNX	
Operating voltage KNX	Bus voltage, ≤ 4 mA
Operating voltage	230 V AC 50 Hz
Frequency	50 Hz
Width	4 modules
Installation type	DIN rail
Type of connection	Terminal screws Bus connection: KNX bus terminal
Max. cable cross section	Solid wire: 0.5 mm ² (\varnothing 0.8) to 4 mm ² Stranded wire with end sleeve: 0.5 mm ² to 2.5 mm ²
Number of channels	2

DM 2 T KNX	
Lamp types	Incandescent, low-voltage and high-voltage halogen and dimmable energy saving lamps and LED
Incandescent/halogen lamp load	400 W
LED lamp	Trailing edge (RC-mode): 400 W
Energy saving lamps	Trailing edge (RC-mode): 400 W
Switching capacity min.	5 W
Max. cable length	100 m
Ambient temperature	-5°C ... 45°C
Type of protection	IP 20
Protection class	II according to EN 60 669

Subject to technical changes and misprints

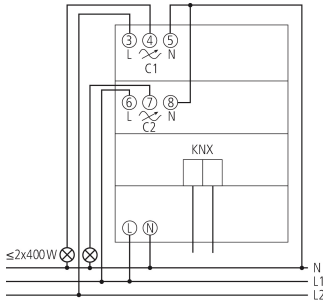
additional information at: www.theben.de/product/4940270

The load data are determined with exemplary selected illuminants and are therefore typical data due to the large number of available products.

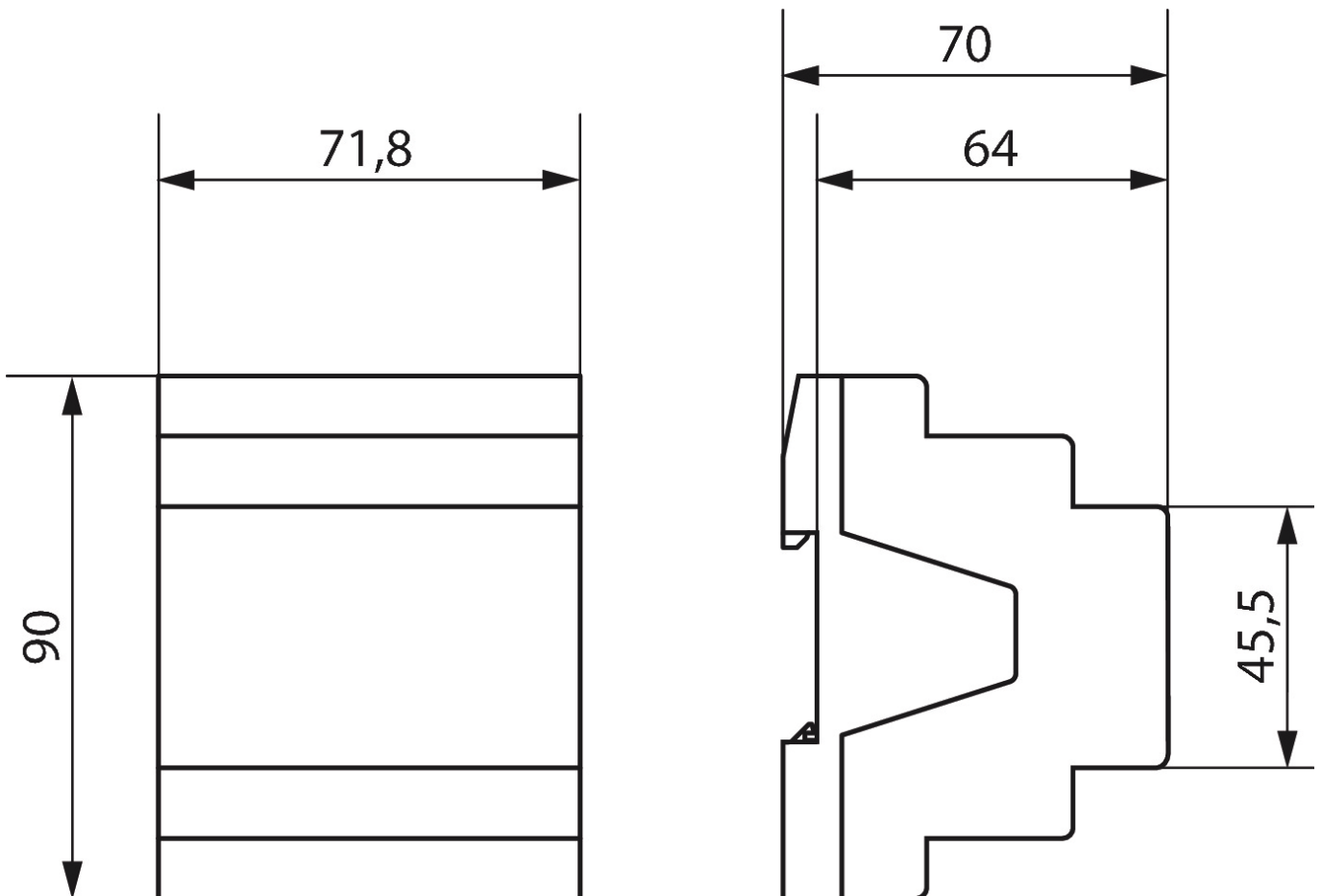
DM 2 T KNX

Item no.: 4940270

Connection example



Scale drawings



DM 2 T KNX

Item no.: 4940270

Accessories

DMB 1 T KNX

Item no.: 4930279

