

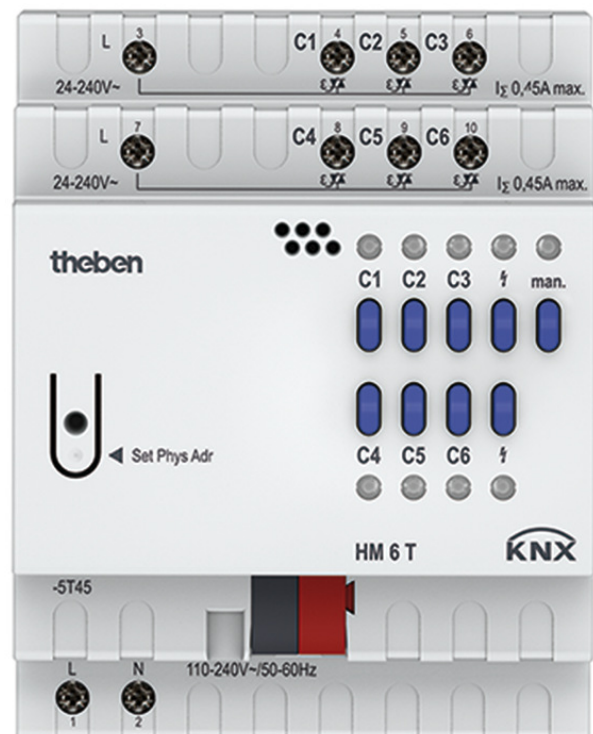
HM 6 T KNX

Item no.: 4940240

Home and Building control KNX

Description

- 6-way heating actuator FIX1
- With 6 temperature controllers (P/PI) for heating and cooling
- For controlling thermal actuators 24 V - 240 V AC in 2 groups with 3 outputs and 450 mA each
- (Due to the switch-on behaviour of the actuators, we recommend not to exceed a maximum load of 3x1 actuators 24 V AC or 3x5 actuators 230 V AC)
- Short-circuit-proof and overcharge protected
- Continuous or switching actuating value selectable
- Valve protection function can be deactivated
- With the modes: comfort, standby, night as well as frost/heating protection
- Changeover to summer mode possible
- LED switching status display for each channel
- Manual operation on device (even without bus connection)



Technical data

HM 6 T KNX	
Operating voltage KNX	Bus voltage, ≤ 4 mA
Operating voltage	110 – 240 V AC 50 – 60 Hz
Frequency	50 – 60 Hz
Stand-by consumption	~ 0.5 W
Width	4 modules
Installation type	DIN rail
Number of channels	6
Type of connection	Terminal screws Bus connection: KNX bus terminal
Max. cable cross section	Solid wire: 0.5 mm ² ($\varnothing 0.8$) to 4 mm ² Stranded wire with end sleeve: 0.5 mm ² to 2.5 mm ²

HM 6 T KNX	
Switching output	Not potential-free
Output	Triac, 0.45 A
Voltage output	24 V AC – – 240 V AC
Frequency output	50 – 60 Hz
Suitable for SELV	Yes if all channels switch at SELV
Switching of various phases	Possible
Ambient temperature	-5°C ... 45°C
Type of protection	IP 20
Protection class	II according to EN 60 669

Subject to technical changes and misprints

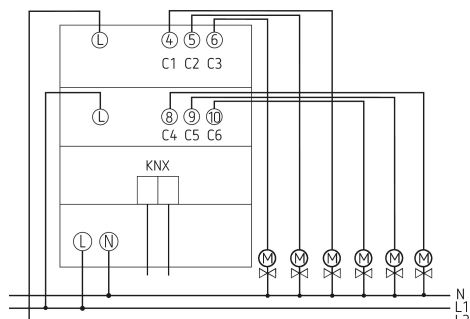
additional information at: www.theben.de/product/4940240

The load data are determined with exemplary selected illuminants and are therefore typical data due to the large number of available products.

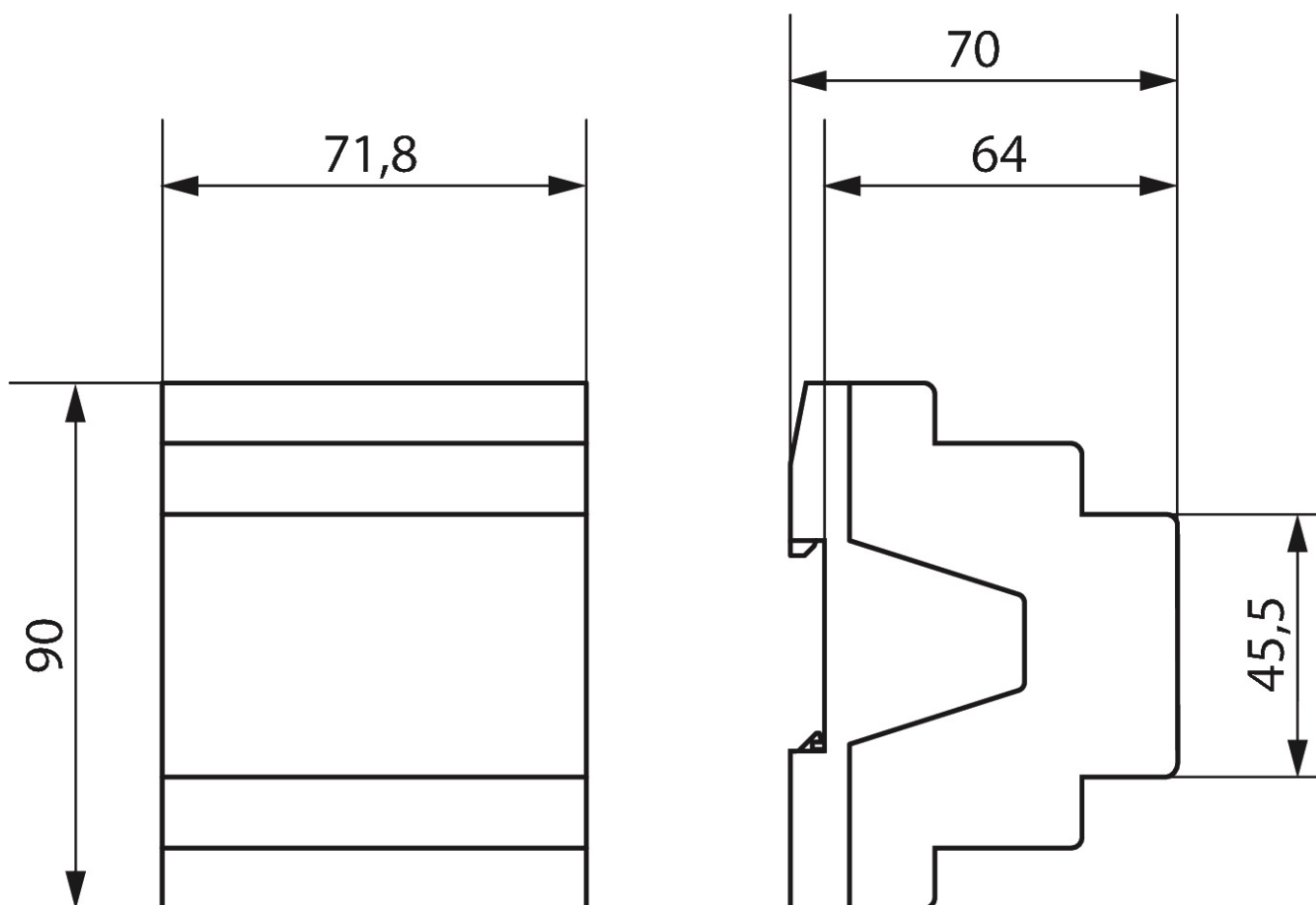
HM 6 T KNX

Item no.: 4940240

Connection example



Scale drawings



Subject to technical changes and misprints

additional information at: www.theben.de/product/4940240

The load data are determined with exemplary selected illuminants and are therefore typical data due to the large number of available products.

HM 6 T KNX

Item no.: 4940240

Accessories

Actuator ALPHA 5 230 V

Item no.: 9070441



Actuator ALPHA 5 24 V

Item no.: 9070442

