

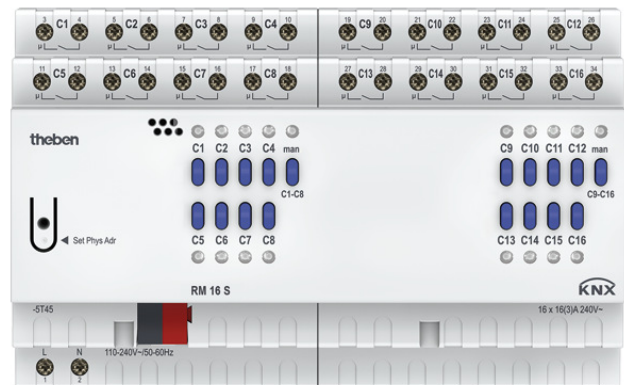
RM 16 S KNX

Item no.: 4940225

Home and Building control KNX

Description

- 16-way switching actuator FIX2
- LED switching status display for each channel
- Manual operation on device (even without bus connection)
- Adjustable characteristics: e.g. switching, delayed switching, pulse function
- Links, type of contact (NC contact/NO contact) and participation in central commands such as continuous On, continuous Off, central switching and save/call up scene
- Switching functions: On/Off, pulse, On/Off delay, staircase light with warning
- Logical links: e.g. lock, AND, release, OR



Technical data

RM 16 S KNX	
Operating voltage KNX	Bus voltage, ≤ 4 mA
Operating voltage	110 – 240 V AC 50 – 60 Hz
Frequency	50 – 60 Hz
Stand-by consumption	~ 0.5 W
Installation type	DIN rail
Width	8 modules
Type of connection	KNX bus terminal
Max. cable cross section	Solid wire: 0.5 mm ² (\varnothing 0.8) to 4 mm ² Stranded wire with end sleeve: 0.5 mm ² to 2.5 mm ²
Number of channels	16
Type of contact	NO contact, 16 A, 3 A
Opening width	< 3 mm
Resistive load	3680 W
Incandescent/halogen lamp load	2000 W
Fluorescent lamp load (conventional) parallel-corrected	1300 W (140 μ F)
Fluorescent lamp load (conventional) not corrected	2000 VA

RM 16 S KNX	
Fluorescent lamp load (electronic ballast)	1200 W
Energy saving lamps	300 W
LED lamp < 2 W	55 W
LED lamp 2–8 W	600 W
LED lamp > 8 W	600 W
Inrush current	max. 800 A / 200 μ s
Voltage output	240 V AC
Switching output	Potential-free
Switching of various phases	Possible
Suitable for SELV	Yes if all channels switch at SELV
C load	–
Type	Module FIX2
Ambient temperature	-5°C ... 45°C
Type of protection	IP 20
Protection class	II

Subject to technical changes and misprints

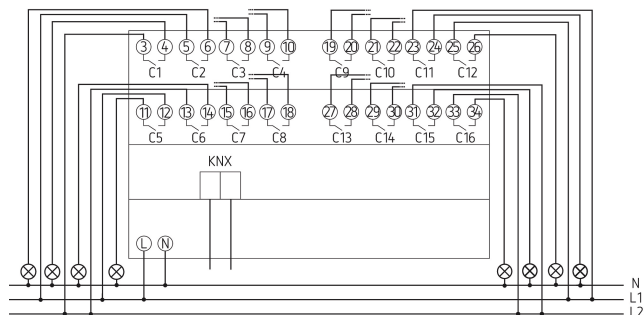
additional information at: www.theben.de/product/4940225

The load data are determined with exemplary selected illuminants and are therefore typical data due to the large number of available products.

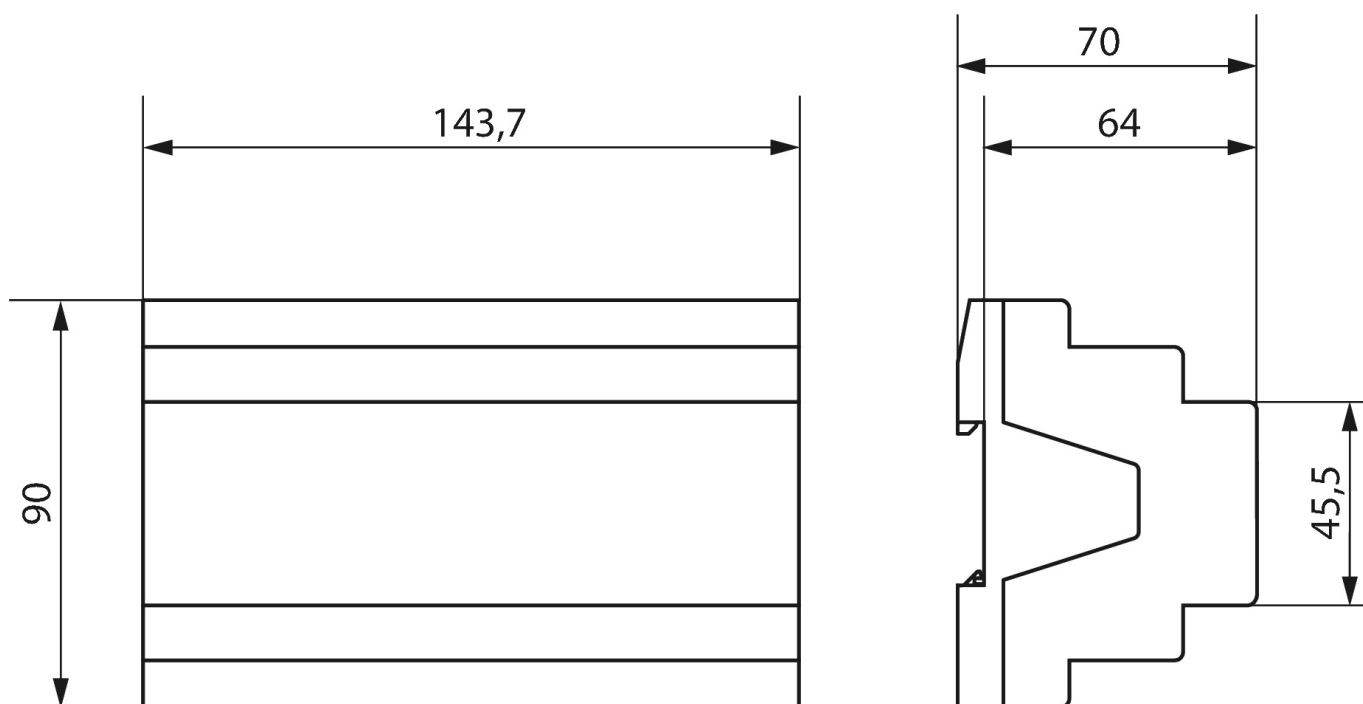
RM 16 S KNX

Item no.: 4940225

Connection example



Scale drawings



Subject to technical changes and misprints

additional information at: www.theben.de/product/4940225

The load data are determined with exemplary selected illuminants and are therefore typical data due to the large number of available products.