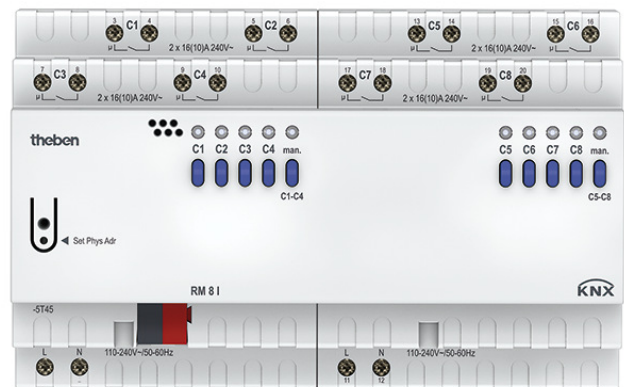


## Home and Building control KNX

### Description

- 8-way C load switching actuator FIX2
- With current recognition
- For higher lamp loads
- LED switching status display for each channel
- Manual operation on device (even without bus connection)
- Adjustable characteristics: e.g. switching, delayed switching, pulse function
- Links, type of contact (NC contact/NO contact) and participation in central commands such as continuous On, continuous Off, central switching and save/call up scene
- Switching functions: On/Off, pulse, On/Off delay, staircase light with warning
- Logical links: e.g. lock, AND, release, OR



### Technical data

RM 8   KNX	
Operating voltage KNX	Bus voltage, $\leq 4$ mA
Operating voltage	110 – 240 V AC 50 – 60 Hz
Frequency	50 – 60 Hz
Stand-by consumption	$\sim 2.4$ W
Installation type	DIN rail
Width	8 modules
Type of connection	Terminal screws   Bus connection: KNX bus terminal
Max. cable cross section	Solid wire: 0.5 mm <sup>2</sup> ( $\varnothing$ 0.8) to 4 mm <sup>2</sup>   Stranded wire with end sleeve: 0.5 mm <sup>2</sup> to 2.5 mm <sup>2</sup>
Number of channels	8
Type of contact	NO contact, 16 A, 10 A
Opening width	< 3 mm
Resistive load	3680 W
Capacitive load	200 $\mu$ F
Incandescent/halogen lamp load	2600 W
Fluorescent lamp load (conventional) parallel-corrected	2000 W (200 $\mu$ F)

RM 8   KNX	
Fluorescent lamp load (electronic ballast)	1650 W
Energy saving lamps	410 W
LED lamp < 2 W	75 W
LED lamp 2–8 W	850 W
LED lamp > 8 W	850 W
Inrush current	max. 1500 A / 200 $\mu$ s
Voltage output	240 V AC
Switching output	Potential-free
Switching of various phases	Possible
Suitable for SELV	Yes if all channels switch at SELV
Accuracy current measurement	$I > 1$ A: $\pm 8$ % of measured value; $I < 1$ A: $\pm 100$ mA; lowest measurable value: 150 mA
C load	$\checkmark$
Type	Module FIX2
Ambient temperature	$-5^{\circ}\text{C} \dots 45^{\circ}\text{C}$
Type of protection	IP 20
Protection class	II according to EN 60 669

Subject to technical changes and misprints

additional information at: [www.theben.de/product/4940215](http://www.theben.de/product/4940215)

The load data are determined with exemplary selected illuminants and are therefore typical data due to the large number of available products.

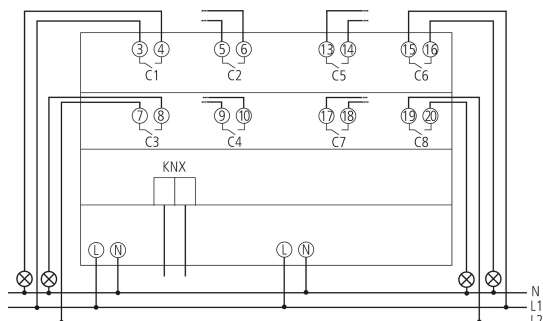
20/07/2020

Page 1 of 2

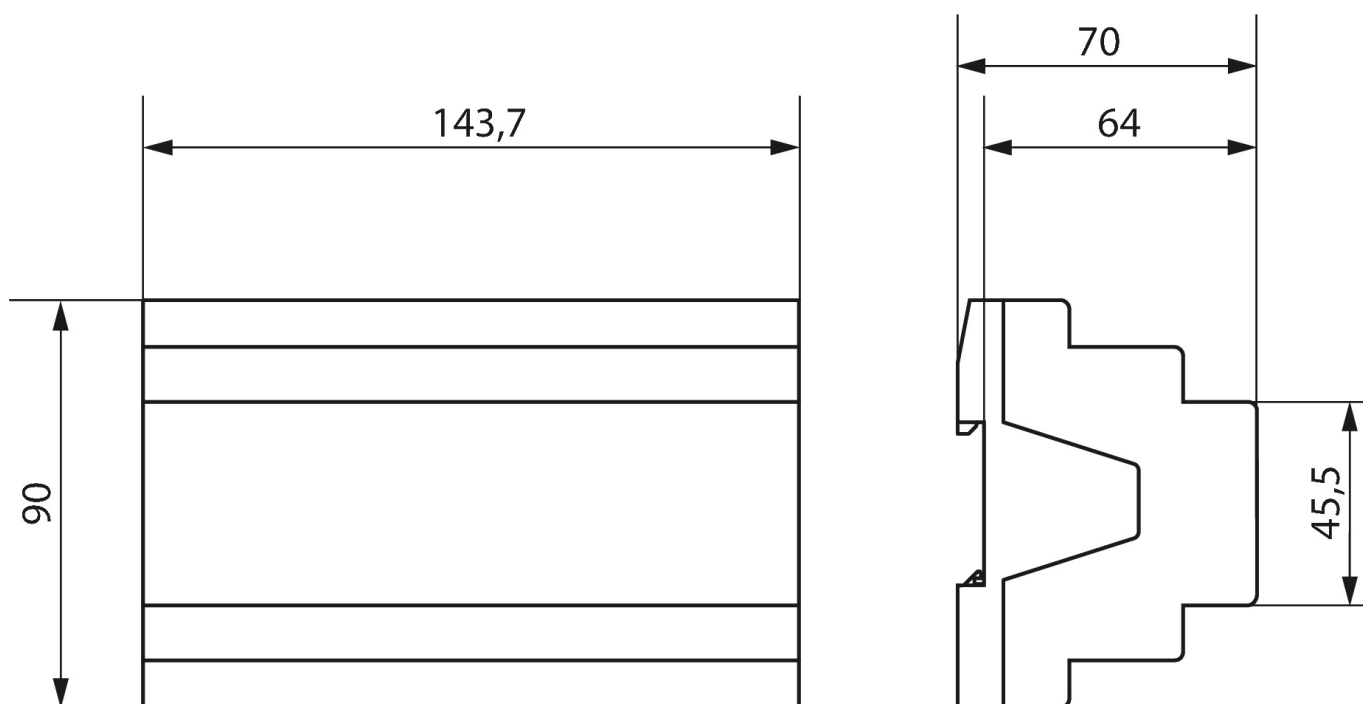
# RM 8 | KNX

Item no.: 4940215

## Connection example



## Scale drawings



Subject to technical changes and misprints

additional information at: [www.theben.de/product/4940215](http://www.theben.de/product/4940215)

The load data are determined with exemplary selected illuminants and are therefore typical data due to the large number of available products.