

**Rotary sensor**  
Art.-No.: DS 4092 TS

## Operating instructions

### 1 Safety instructions

Electrical equipment may only be installed and fitted by electrically skilled persons.

Serious injuries, fire or property damage possible. Please read and follow manual fully.

**Danger of electric shock on the KNX installation. Do not connect any external voltage to the inputs. Doing so may damage the device(s), and the SELV potential on the KNX bus line will no longer be available.**

These instructions are an integral part of the product, and must remain with the end customer.

### 2 Device components

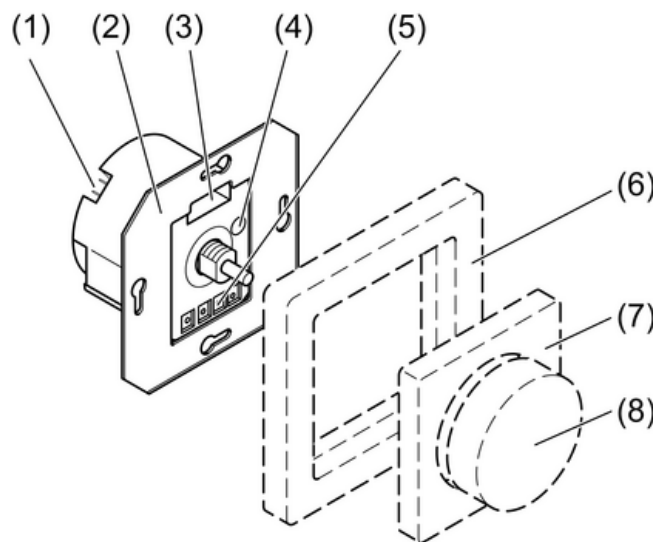


Figure 1

- (1) Connection, Bus
- (2) Rotating sensor
- (3) Diagnostic LED
- (4) Programming key
- (5) Terminals push-button interface
- (6) Frame
- (7) Central plate
- (8) Control button

### 3 Function

#### System information

This device is a product of the KNX system and complies with the KNX directives. Detailed technical knowledge obtained in KNX training courses is a prerequisite to proper understanding.

The function of this device depends upon the software. Detailed information on loadable software and attainable functionality as well as the software itself can be obtained from the manufacturer's product database. Planning, installation and commissioning of the device are

carried out with the aid of KNX-certified software. The latest versions of product database and the technical descriptions are available on our website.

#### **Intended use**

- Operation of loads, e.g. light on/off, dimming, blinds up/down, brightness values, temperatures, calling up and saving light scenes, etc.
- Installation in appliance box to DIN 49073

#### **Product characteristics**

- Operation by turning or pressing the control button
- Integrated push-button interface: Three binary inputs for potential-free contacts
- Functions for control button and push-button interface: Switching, dimming, shutter control, value transmitters, calling up moods, etc.
- Acoustic signal transmitter, e.g. for status, operation or alarm message, ringtone or audible alert
- Alarm function, optional with confirmation by pressing
- Convenience function for dimming and value adjustment: Preselection of the increment by fast turning
- Energy saving mode
- Separated locking functions for control button and push-button interface

#### **Energy saving mode**

The device switches to the energy saving mode after a preset time or by an external telegram. In the energy saving mode the signal transmitter and push-button interface are without any functions.

During operation, the energy saving mode is exited.

- i** Operations from the energy saving mode are executed immediately.

## **4 Operation**

The switching, dimming, blind, scene extension unit or value transmitter functions are available independent of each other for printing or turning the control button.

#### **Press the control button**

- Switch: Short press on the control button.

- i** A long push-button action can be used for operation of a second function.

- Dim: Long press on the control button.
- Move Venetian blind: Long press on the control button.
- Stop or adjust Venetian blind: Short press on the control button.
- Call up light scene: Short press on the control button.
- Save light scene: Long press on the control button.
- Call up value: Short press on the control button.
- Adjusting value: Press control button for a long time.

#### **Turn control button**

- Switching: Turn to the right or left.
- Dimming brighter: Turn to the left or right.
- Dimming darker: Turn to the left or right.
- Moving blind upwards: Turn to the left or right.
- Moving blind downwards: Turn to left or right.
- Calling up light scene: Turn to the left or right.
- Calling up or adjusting values: Turn to the left or right.

## 5 Information for electrically skilled persons



### DANGER!

Electrical shock on contact with live parts in the installation environment.  
Electrical shocks can be fatal.

Before working on the device, disconnect the power supply and cover up live parts in the working environment.

### 5.1 Fitting and electrical connection

#### Connecting and fitting the device

- Connect bus line with terminal to bus connection (1).
- If necessary, connect potential-free contacts to the push-button interface (5) between terminals **COM** and **1...3**(figure 2).
- Install the device (2) in the appliance box.
- Mount the frame (6), the central plate (7) and the control button (8).

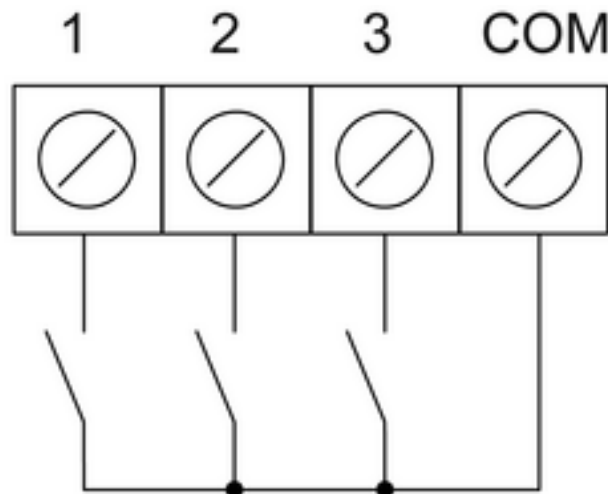


Figure 2: Connection of binary inputs

### 5.2 Commissioning

#### Load the address and the application software

- Switch on the bus voltage
- Press the programming button (4).  
The device indicates the programming mode with a pulsating tone (0.5 Hz).
- Assign physical address.  
Signal tone becomes silent.
- Write the physical address on the device label.
- Load the application software into the device.

## 6 Appendix

### 6.1 Technical data

KNX medium  
Commissioning mode  
Rated voltage KNX  
Safety class

TP 1  
S-mode  
DC 21 ... 32 V SELV  
III

Connection type for bus	Connection terminal
Current consumption	
KNX	max. 12.5 mA
Energy saving mode	approx. 3 mA
Push button interface	
Poll voltage	approx. 20 V
Cable length	max. 5 m
Ambient conditions	
Ambient temperature	-25 ... +55 °C
Storage/transport temperature	-25 ... +55 °C
Relative humidity	5 ... 93 % (No moisture condensation)

## 6.2 Troubleshooting

### LED (3) flash alternately, no operation is possible

No application software is loaded.

Load the application software.

### Push button interface and signal transmitter show no function

Energy saving mode active.

Deactivate energy saving mode, depending on the setting e.g. by operation on the setting wheel or by external presetting.

If the energy saving mode blocks other device functions: Check parameter setting and adjust if necessary.

## 6.3 Warranty

We reserve the right to make technical and formal changes to the product in the interest of technical progress.

We provide a warranty as provided for by law.

Please send the unit postage-free with a description of the defect to our central customer service office.

### ALBRECHT JUNG GMBH & CO. KG

Volmestraße 1  
58579 Schalksmühle

Telefon: +49.23 55.8 06-0  
Telefax: +49.23 55.8 06-2 04  
kundencenter@jung.de  
www.jung.de

### Service Center

Kupferstr. 17-19  
44532 Lünen  
Germany