

Rotary dimmer with 2-way push switch  
Art.-No.: 211 GDE

### Operationsmanual

## 1 Safety instructions

Electrical equipment may only be installed and fitted by electrically skilled persons.

Failure to observe the instructions may cause damage to the device and result in fire and other hazards.

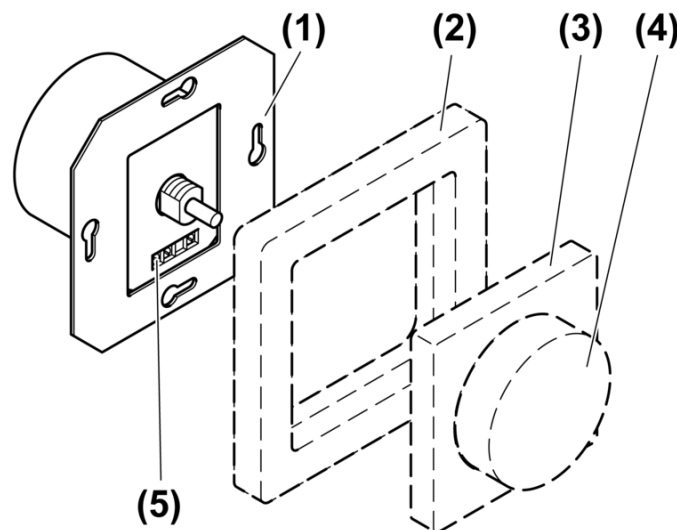
**Danger of electric shock. Always disconnect before carrying out work on the device or load. At the same time, take into account all circuit breakers that supply dangerous voltage to the device or load.**

**Danger of electric shock. Device is not suitable for disconnection from supply voltage.**

**Do not connect any electronic lamps, e.g. switchable or dimmable compact fluorescent lamps or LED lamps. Device can be damaged.**

These instructions are an integral part of the product, and must remain with the end customer.

## 2 Device components



picture 1: Device components

- (1) Dimmer
- (2) Frame
- (3) Central plate
- (4) Adjusting knob
- (5) Screw terminals

## 3 Function

### Intended use

- Switching and dimming incandescent lamps and HV halogen lamps
- Installation in appliance box acc. to DIN 49073
- Suitable for mixed operation up to the specified output (see chapter 6.1. Technical data)

**i** No operation with transformers.

## Product characteristics

- Dimming principle, phase cut-off
- Soft locking on actuation
- Electronic short-circuit protection with permanent switch-off after 7 seconds at the latest
- Electronic over-temperature protection
- Changeover switch possible in combination with two changeover switches
- Power enhancement is only possible with the power extensions listed under Accessories

**i** Flickering of the connected lamps due to undershoot of the specified minimum load or through centralised pulses from the power stations and soft humming due to the radio interference suppressor. These are not device faults.

## 4 Operation

### Switch light

- Press the control button.

### Adjust the brightness

Light is switched on.

- Turn the control button in the clockwise direction.  
The light gets brighter up to maximum brightness.
- Turn the control button in the anti-clockwise direction.  
Light gets darker to minimum brightness.

## 5 Information for electrically skilled persons

### 5.1 Fitting and electrical connection



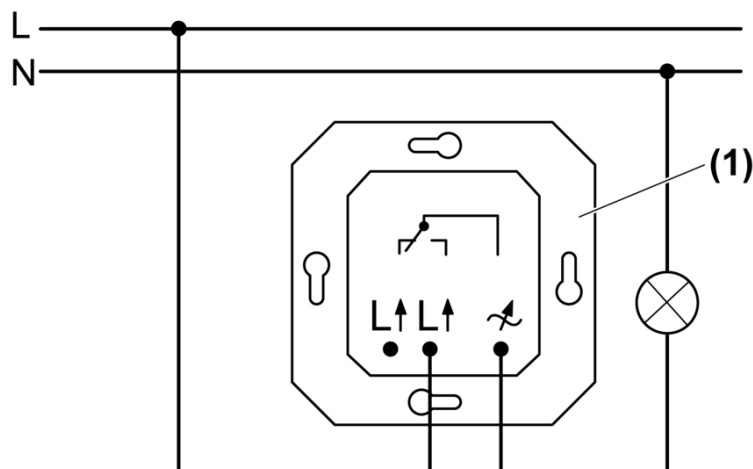
#### **DANGER!**

**Electrical shock when live parts are touched.**

**Electrical shocks can be fatal.**

**Before working on the device, disconnect all the corresponding miniature circuit breakers. Cover up live parts in the working environment.**

### Connecting and mounting the dimmer



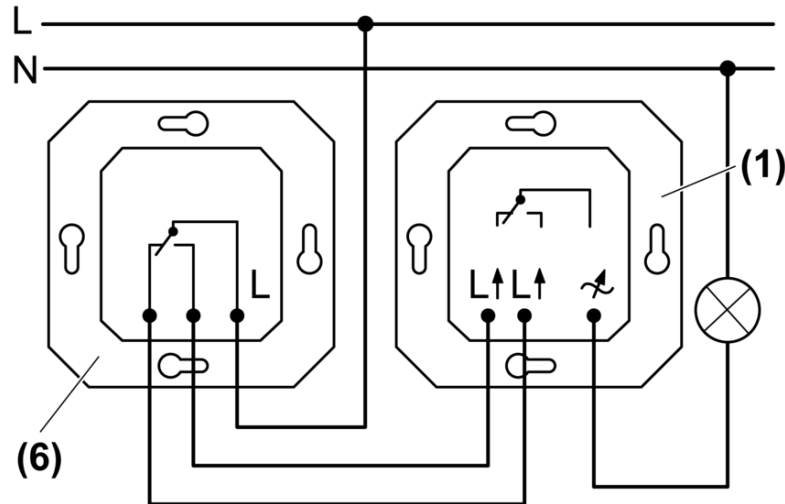
picture 2: Connection diagram

- Connect the dimmer (1) according to the connection diagram (picture 2).

- Mount the dimmer in the accessory socket.
- Mount the frame and the central plate.
- Attach the adjusting knob.

### Connection in changeover switch

- i** No changeover switch possible with two dimmers.



picture 3: Changeover switch

- (1) Dimmer  
 (6) Changeover switch
- Connect the dimmer (1) and the changeover switch (6) according to the connection diagram (picture 3).

## 6 Appendix

### 6.1 Technical data

Rated voltage	AC 230 / 240 V ~
Mains frequency	50 Hz
Ambient temperature	-5 ... +25 °C
Connected load at 25 °C	
Incandescent lamps	100 ... 1000 W
HV halogen lamps	100 ... 1000 W
Power reduction	
per 5°C in excess of 25°C	-10 %
when installed in wooden or dry construction walls	-15 %
when installed in multiple combinations	-20 %
Connection	
Single stranded	max. 4 mm <sup>2</sup>



The symbols used to label the dimmer load shows the load type that can be connected to a dimmer and the electric behaviour of a load: R = ohmic

### 6.2 Troubleshooting

**The device switches the load off and on again after some time.**

Overheating protection has tripped.

Reduce the connected load.

Check the installation situation.

- i** Automatic switch-on after cooling.

**The device switches the load off and cannot be switched on again.**

Short-circuit protection has tripped.

Eliminate short-circuit.

- i** After elimination of the short circuit, automatic switch-on. Short-circuit protection is not based on a conventional fuse, no metallic separation of the operational current.

### 6.3 Accessories

TRONIC amplifier, built-in  
Amplifier for conventional dimmers, built-in

Art.-No.: 247 EB  
Art.-No.: 246 EB

### 6.4 Warranty

We reserve the right to make technical and formal changes to the product in the interest of technical progress.

We provide a warranty as provided for by law.

Please send the unit postage-free with a description of the defect to our central customer service office:

#### **ALBRECHT JUNG GMBH & CO. KG**

Service Center  
Kupferstr. 17-19  
D-44532 Lünen  
Service-Line: +49 (0) 23 55 . 80 65 51  
Telefax: +49 (0) 23 55 . 80 61 89  
mail.vka@jung.de

#### **General equipment**

Service-Line: +49 (0) 23 55 . 80 65 55  
Telefax: +49 (0) 23 55 . 80 62 55  
mail.vkm@jung.de

#### **KNX equipment**

Service-Line: +49 (0) 23 55 . 80 65 56  
Telefax: +49 (0) 23 55 . 80 62 55  
mail.vkm@jung.de

The € symbol is a free trade symbol, which is solely intended for the authorities and does not guarantee any properties.

#### **ALBRECHT JUNG GMBH & CO. KG**

Volmestraße 1  
D-58579 Schalksmühle

Telefon: +49.23 55.8 06-0  
Telefax: +49.23 55.8 06-1 89  
E-mail: mail.info@jung.de  
Internet: www.jung.de  
www.jung-katalog.de