

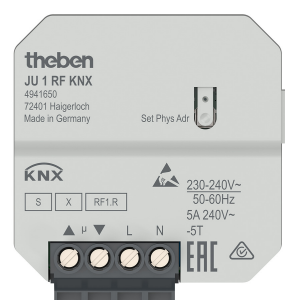
# JU 1 RF KNX

Item no.: 4941650

Home and Building control  
KNX

## Description

- 1-way wireless flush-mounted blind actuator KNX
- For controlling drives for blinds, roller blinds, sun and vision protection devices, skylights, and ventilation flaps
- Secure communication via KNX-RF with support of "KNX Data Secure"
- Integrated automatic ventilation function
- 2 binary inputs for floating contacts such as buttons, switches, window contacts, temperature sensor (I2)
- The binary inputs are assigned to the output as standard (function test before programming)
- Integrated temperature monitoring for increased operating safety, e.g. in the event of overload

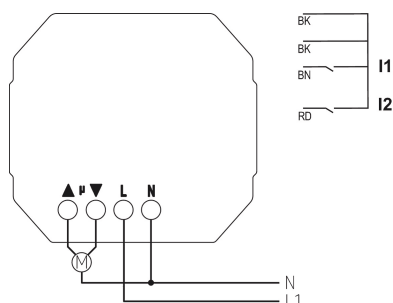


## Technical data

JU 1 RF KNX	
Operating voltage KNX	Bus voltage
Operating voltage	230 – 240 V AC 50 – 60 Hz
Frequency	50 – 60 Hz
Installation type	Flush-mounted
Type of connection	Screw terminals

JU 1 RF KNX	
Number of channels	1
Type	Base module
Protection class	II

## Connection example



Subject to technical changes and misprints

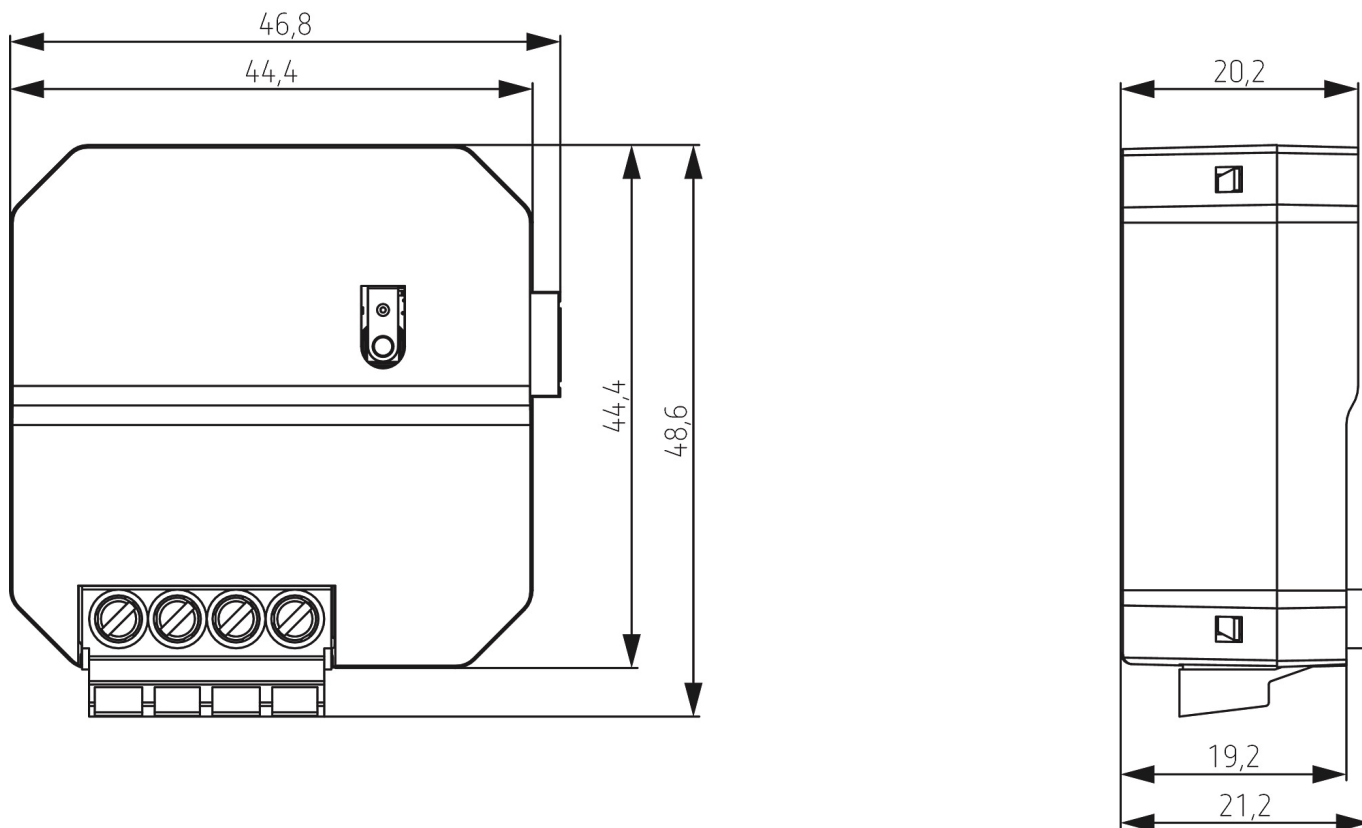
additional information at: [www.theben.de/product/4941650](http://www.theben.de/product/4941650)

The load data are determined with exemplary selected illuminants and are therefore typical data due to the large number of available products.

# JU 1 RF KNX

Item no.: 4941650

## Scale drawings

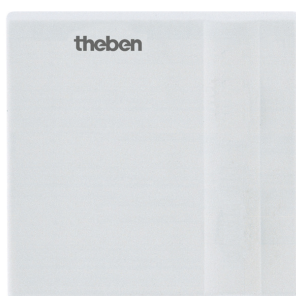


## Accessories

**Temperature sensor**  
Item no.: 9070321



**Temperature sensor RAMSES IP 65**  
Item no.: 9070459



**Flush-mounted temperature sensor**  
Item no.: 9070496

