

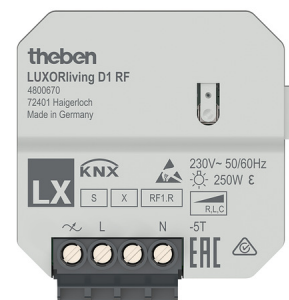
LUXORliving D1 RF

Item no.: 4800670

Home and Building control
LUXORliving

Description

- 1-way wireless flush-mounted dimming actuator LUXORliving
- Encrypted wireless communication
- Optimised dimming output for dimmable energy-saving lamps, LEDs, incandescent and halogen lamps, and dimmable transformers
- Easy to adapt to different lamps thanks to automatic load detection
- Adjustable dimming curve for precise and flicker-free dimming
- 2 binary inputs for floating contacts such as buttons, switches, temperature sensor (I2)
- The binary inputs are assigned to the dimming output as standard (function test before programming)
- Integrated temperature monitoring for increased operating safety, e.g. in the event of overload

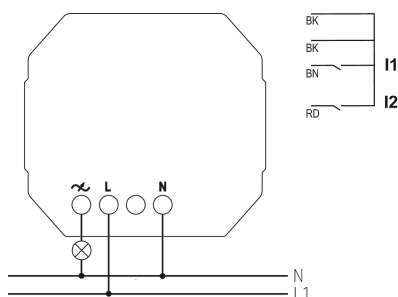


Technical data

LUXORliving D1 RF	
Operating voltage	230 V AC 50 – 60 Hz
Frequency	50 – 60 Hz
Stand-by consumption	~0.4 W
Installation type	Flush-mounted
Number of channels	1
Incandescent/halogen lamp load	250 W

LUXORliving D1 RF	
LED lamp < 2 W	22 W
LED lamp 2-8 W	250 W
LED lamp > 8 W	250 W
Ambient temperature	-5°C ... 45°C
Protection class	II

Connection example



Subject to technical changes and misprints

additional information at: www.theben.de/product/4800670

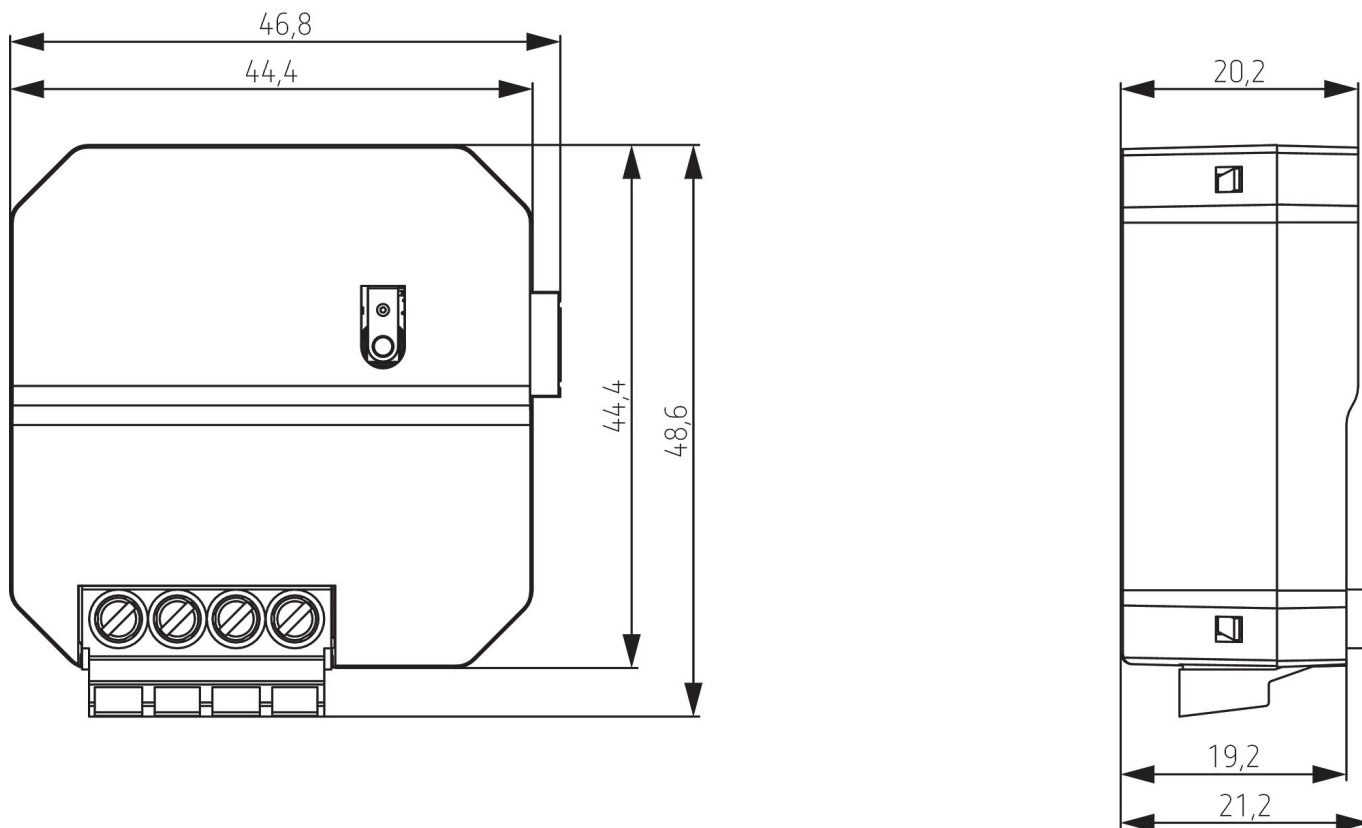
The load data are determined with exemplary selected illuminants and are therefore typical data due to the large number of available products.

LUXORliving D1 RF

Item no.: 4800670

theben
energy saving comfort

Scale drawings

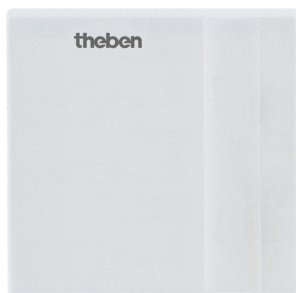


Accessories

Temperature sensor
Item no.: 9070321



Temperature sensor RAMSES IP 65
Item no.: 9070459



Flush-mounted temperature sensor
Item no.: 9070496



Subject to technical changes and misprints

additional information at: www.theben.de/product/4800670

The load data are determined with exemplary selected illuminants and are therefore typical data due to the large number of available products.

30/09/2020

Page 2 of 2