

# LUXORliving H1

Item no.: 4800540

**theben**  
energy saving comfort

Home and Building control  
LUXORliving

## Description

- 1-way flush-mounted heating actuator LUXORliving
- Noiseless control of thermal actuators 230 V AC
- Integrated temperature controller heating/cooling
- Valve protection function
- Easy installation due to the compact housing
- 2 binary inputs for floating contacts such as buttons, switches, temperature sensor (I2)
- Integrated temperature monitoring for increased operating safety, e.g. in the event of overload



## Technical data

| LUXORliving H1        |                          |
|-----------------------|--------------------------|
| Operating voltage KNX | Bus voltage, $\leq 4$ mA |
| Installation type     | Flush-mounted            |
| Number of channels    | 1                        |

| LUXORliving H1      |               |
|---------------------|---------------|
| Type of contact     | 1 A           |
| Ambient temperature | -5°C ... 45°C |

Subject to technical changes and misprints

additional information at: [www.theben.de/product/4800540](http://www.theben.de/product/4800540)

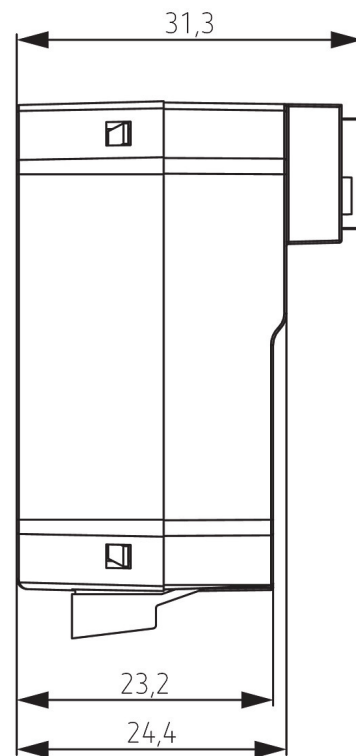
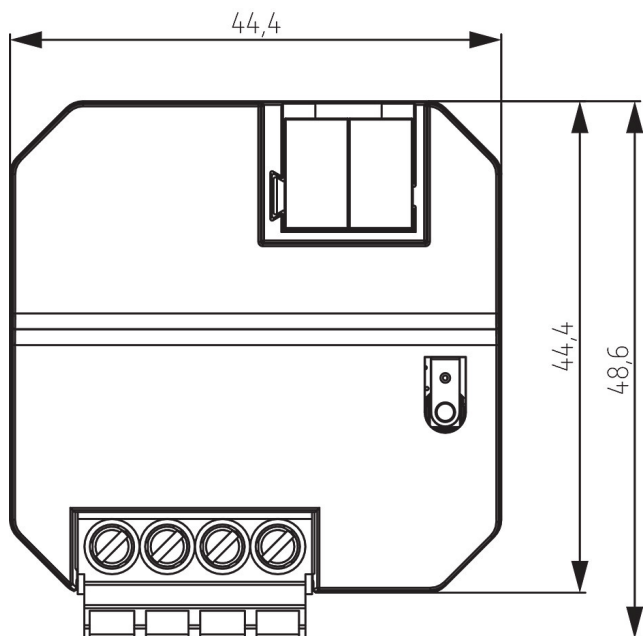
The load data are determined with exemplary selected illuminants and are therefore typical data due to the large number of available products.

# LUXORliving H1

Item no.: 4800540

**theben**  
energy saving comfort

## Scale drawings

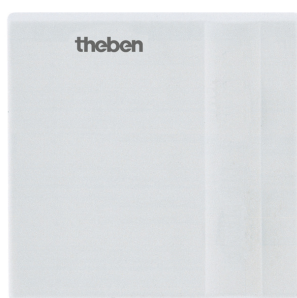


## Accessories

Temperature sensor  
Item no.: 9070321



Temperature sensor RAMSES IP  
65  
Item no.: 9070459



Actuator ALPHA 5 230 V  
Item no.: 9070441



Subject to technical changes and misprints

additional information at: [www.theben.de/product/4800540](http://www.theben.de/product/4800540)

The load data are determined with exemplary selected illuminants and are therefore typical data due to the large number of available products.

05/11/2020

Page 2 of 2