

LUXORliving IP1

Item no.: 4800495

Home and Building control
LUXORliving

Description

- System Center LUXORliving
- With Ethernet interface
- Download of the operating software LUXORplug at <https://luxorliving.co.uk/luxorplug/>



Technical data

	LUXORliving IP1
Operating voltage	12 – 30 V DC
Stand-by consumption	<1.5 W
Installation type	DIN rail
Width	2 modules

	LUXORliving IP1
Type of protection	IP 20
Protection class	III

Subject to technical changes and misprints

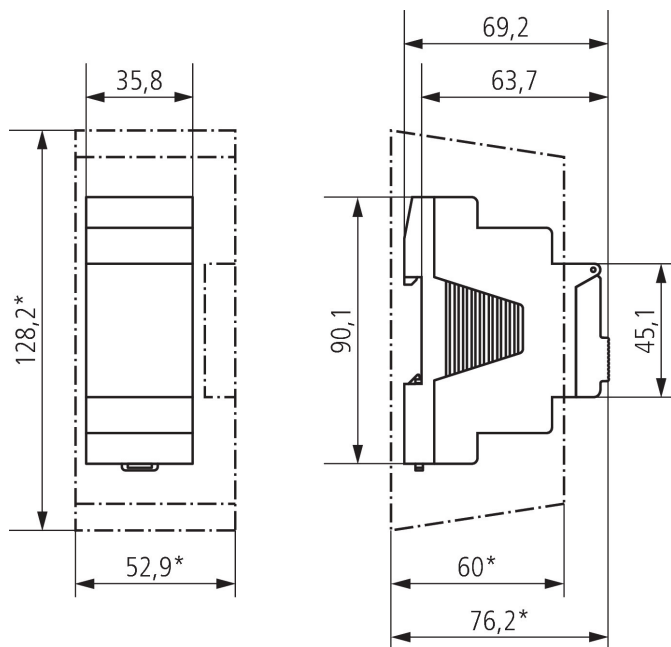
additional information at: www.theben.de/product/4800495

The load data are determined with exemplary selected illuminants and are therefore typical data due to the large number of available products.

LUXORliving IP1

Item no.: 4800495

Scale drawings



Subject to technical changes and misprints

additional information at: www.theben.de/product/4800495

The load data are determined with exemplary selected illuminants and are therefore typical data due to the large number of available products.