

LUXORliving D2

Item no.: 4800470

theben
energy saving comfort

Home and Building control
LUXORliving

Description

- 2-way universal dimmer actuator LUXORliving
- Dimming output: 400 W per channel, dimming area 0-100%
- For dimming dimmable LED, incandescent lamps, LV, HV halogen lamps and energy saving lamps
- Also suitable for dimming of dimmable energy-saving lamps
- LED switching status display for each channel
- Manual operation on device



Technical data

LUXORliving D2	
Operating voltage KNX	≤10 mA
Operating voltage	230 V AC
Stand-by consumption	~0.9 W
Width	4 modules
Installation type	DIN rail
Number of channels	2

LUXORliving D2	
Lamp types	Incandescent, low-voltage and high-voltage halogen and dimmable energy saving lamps and LED
Incandescent/halogen lamp load	400 W
LED lamp	Trailing edge (RC-mode): 400 W
Energy saving lamps	Trailing edge (RC-mode): 400 W
Type of protection	IP 20
Protection class	II according to EN 60 669

Subject to technical changes and misprints

additional information at: www.theben.de/product/4800470

The load data are determined with exemplary selected illuminants and are therefore typical data due to the large number of available products.

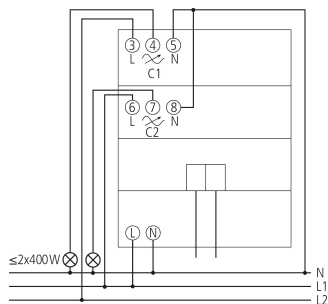
30/09/2020

Page 1 of 2

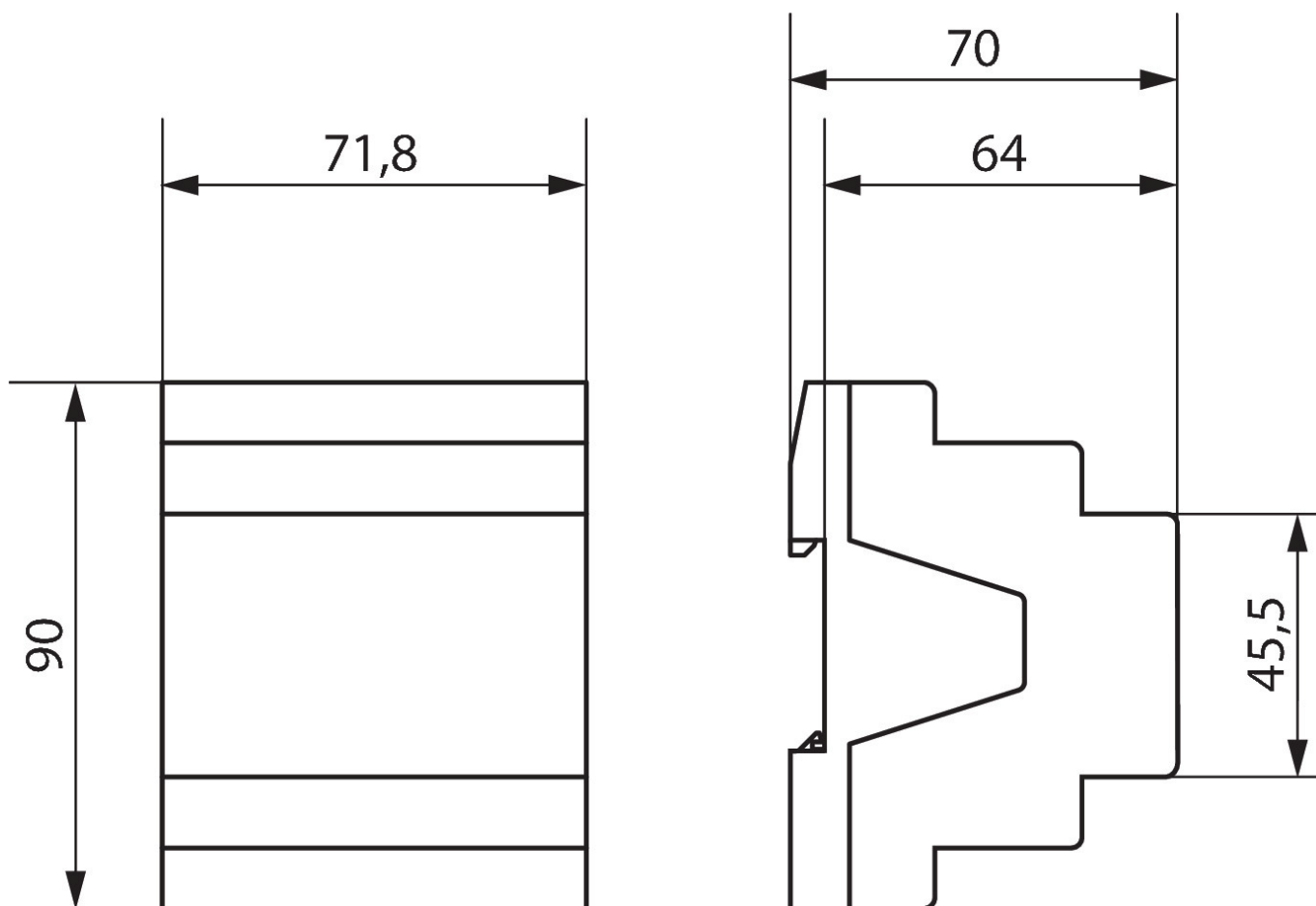
LUXORliving D2

Item no.: 4800470

Connection example



Scale drawings



Subject to technical changes and misprints

additional information at: www.theben.de/product/4800470

The load data are determined with exemplary selected illuminants and are therefore typical data due to the large number of available products.