

LUXORliving H6

Item no.: 4800440

theben
energy saving comfort

Home and Building control
LUXORliving

Description

- 6-way heating actuator LUXORliving
- 6 potential-free triac outputs (24 V-250 V AC)
- Emergency program for bus or telegram failure
- Summer operation and valve protection
- LED switching status display for each channel
- Manual operation on device



Technical data

LUXORliving H6	
Operating voltage	110 – 240 V AC
Stand-by consumption	~0.3 W
Width	4 modules
Installation type	DIN rail
Number of channels	6
Switching output	Not potential-free

LUXORliving H6	
Output	Triac
Voltage output	24 V AC – 240 V AC
Frequency output	50 – 60 Hz
Type of protection	IP 20
Protection class	II according to EN 60 669

Subject to technical changes and misprints

additional information at: www.theben.de/product/4800440

The load data are determined with exemplary selected illuminants and are therefore typical data due to the large number of available products.

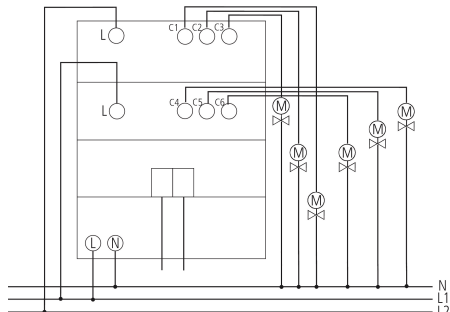
30/09/2020

Page 1 of 2

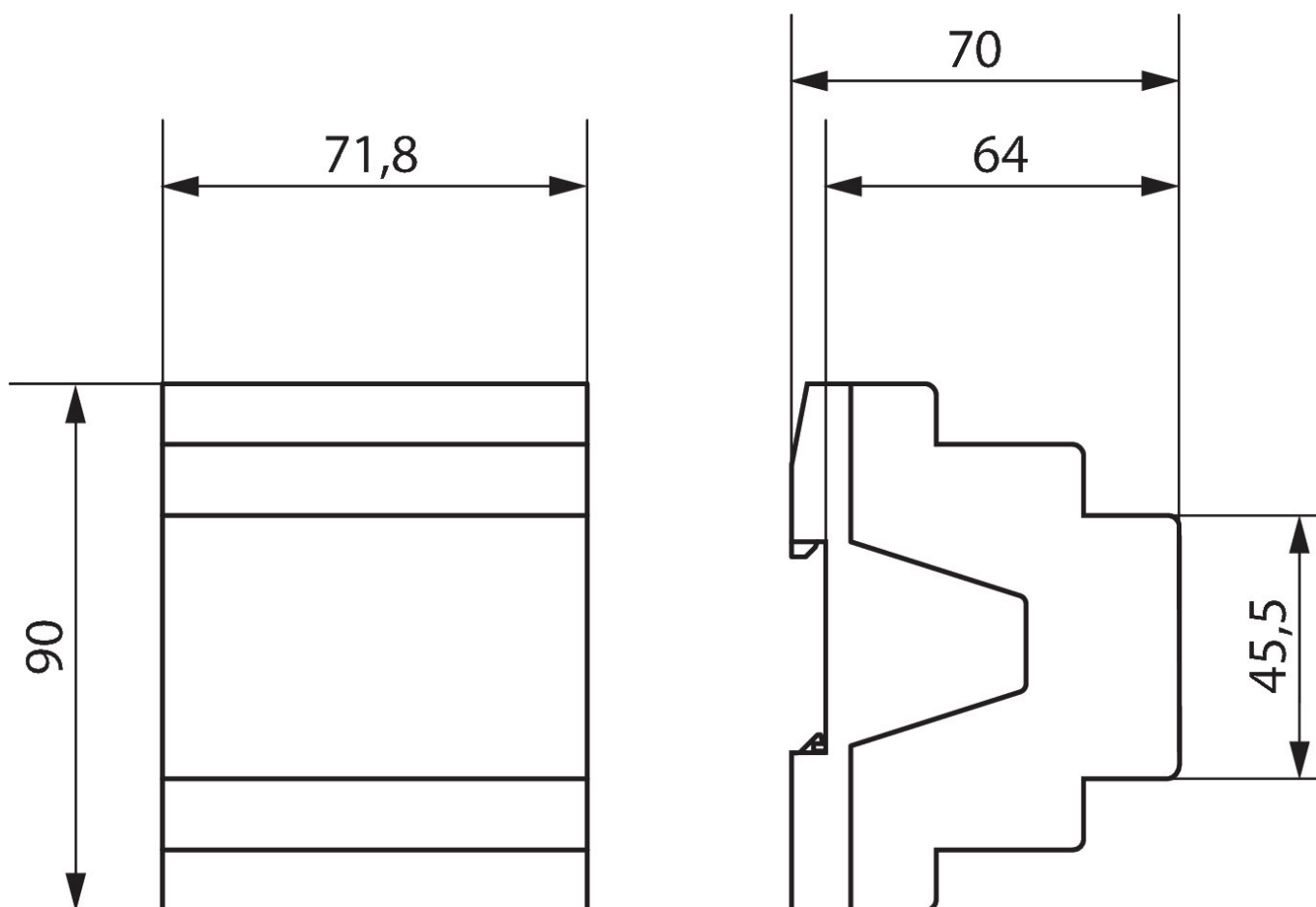
LUXORliving H6

Item no.: 4800440

Connection example



Scale drawings



Subject to technical changes and misprints

additional information at: www.theben.de/product/4800440

The load data are determined with exemplary selected illuminants and are therefore typical data due to the large number of available products.