

LUXORliving S16

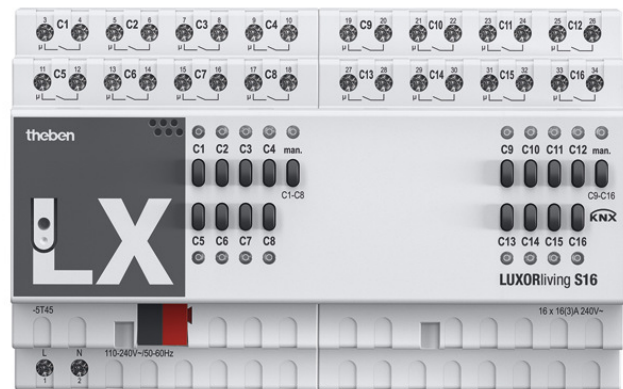
Item no.: 4800429

theben
energy saving comfort

Home and Building control
LUXORliving

Description

- 16-way switching actuator LUXORliving
- LED switching status display for each channel
- Manual operation on device
- Switching functions: On/Off, pulse, On/Off delay, staircase light with warning

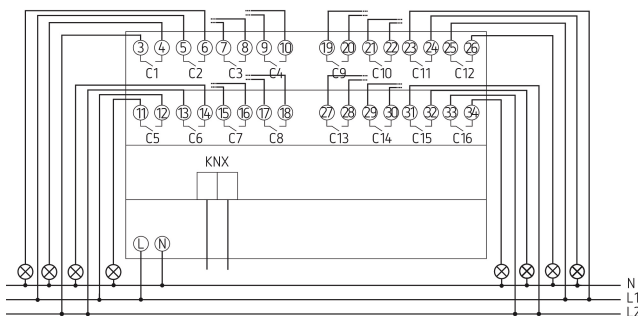


Technical data

LUXORliving S16	
Operating voltage KNX	<4 mA
Operating voltage	110 – 240 V AC
Stand-by consumption	<0.3 W
Installation type	DIN rail
Width	8 modules
Number of channels	16
Type of contact	NO contact, 16 A, 3 A
Fluorescent lamp load (conventional) parallel-corrected	1300 W (140 µF)
Fluorescent lamp load (conventional) not corrected	2000 VA

LUXORliving S16	
Fluorescent lamp load (electronic ballast)	1200 W
Energy saving lamps	300 W
LED lamp < 2 W	55 W
LED lamp 2-8 W	600 W
LED lamp > 8 W	600 W
Inrush current	max. 800 A / 200 µs
Type of protection	IP 20
Protection class	II

Connection example



Subject to technical changes and misprints

additional information at: www.theben.de/product/4800429

The load data are determined with exemplary selected illuminants and are therefore typical data due to the large number of available products.

30/09/2020

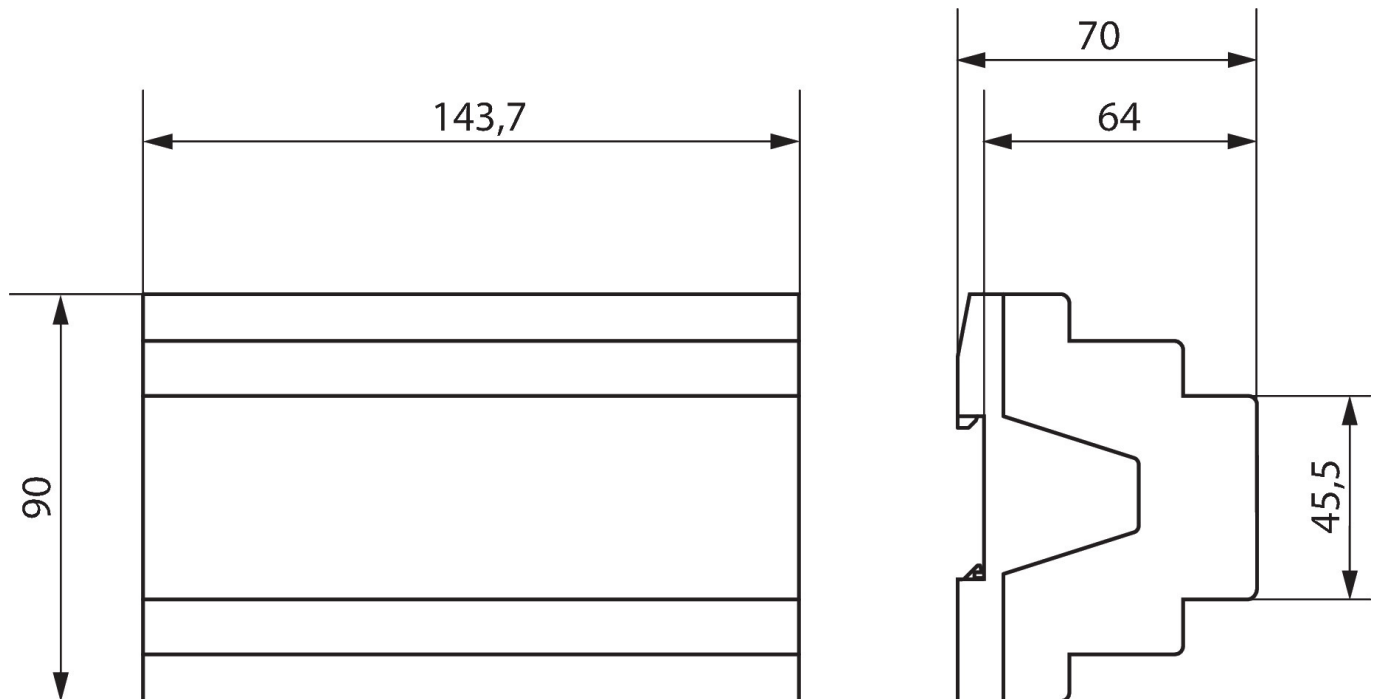
Page 1 of 2

LUXORliving S16

Item no.: 4800429

theben
energy saving comfort

Scale drawings



Subject to technical changes and misprints

additional information at: www.theben.de/product/4800429

The load data are determined with exemplary selected illuminants and are therefore typical data due to the large number of available products.

30/09/2020

Page 2 of 2