

# LUXORliving S8

Item no.: 4800425

**theben**  
energy saving comfort

Home and Building control  
LUXORliving

## Description

- 8-way switching actuator LUXORliving
- LED switching status display for each channel
- Manual operation on device
- Switching functions: On/Off, pulse, On/Off delay, staircase light with warning



## Technical data

LUXORliving S8	
Operating voltage KNX	<4 mA
Operating voltage	110 – 240 V AC
Stand-by consumption	<0.3 W
Installation type	DIN rail
Width	4 modules
Number of channels	8
Type of contact	NO contact, 16 A, 3 A
Fluorescent lamp load (conventional) parallel-corrected	1300 W (140 µF)
Fluorescent lamp load (conventional) not corrected	2000 VA

LUXORliving S8	
Fluorescent lamp load (electronic ballast)	1200 W
Energy saving lamps	300 W
LED lamp < 2 W	55 W
LED lamp 2-8 W	600 W
LED lamp > 8 W	600 W
Inrush current	max. 800 A / 200 µs
Type of protection	IP 20
Protection class	II

Subject to technical changes and misprints

additional information at: [www.theben.de/product/4800425](http://www.theben.de/product/4800425)

The load data are determined with exemplary selected illuminants and are therefore typical data due to the large number of available products.

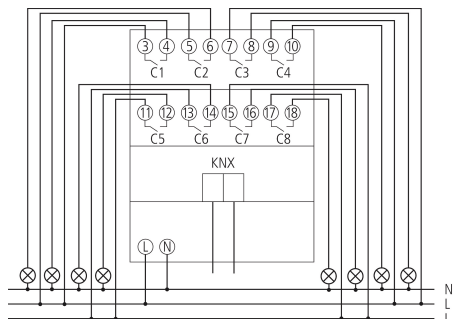
30/09/2020

Page 1 of 2

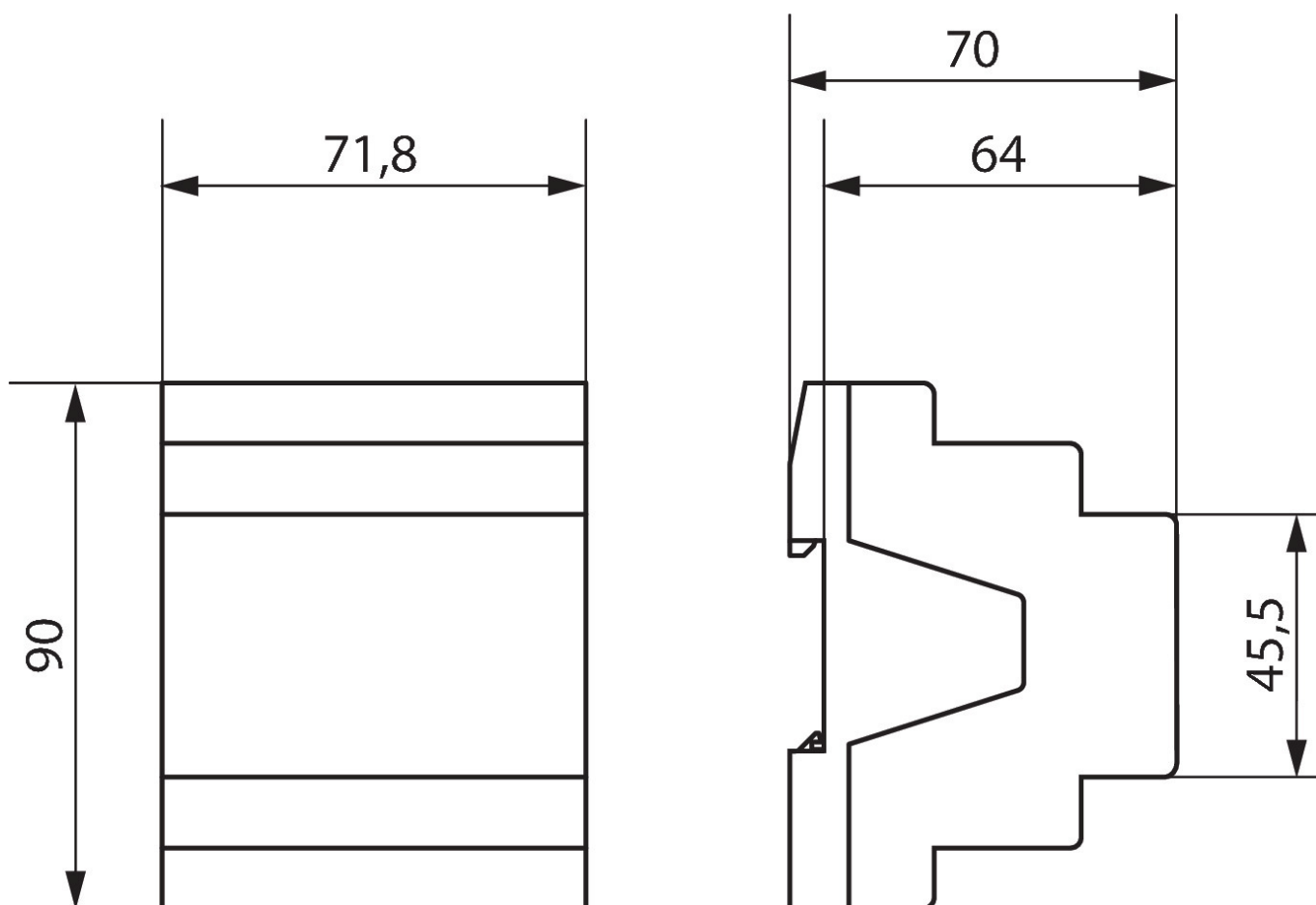
# LUXORliving S8

Item no.: 4800425

## Connection example



## Scale drawings



Subject to technical changes and misprints

additional information at: [www.theben.de/product/4800425](http://www.theben.de/product/4800425)

The load data are determined with exemplary selected illuminants and are therefore typical data due to the large number of available products.