

theRonda P360 KNX UP WH

Item no.: 2089000

Presence and motion detectors Indoor detectors

Description

- KNX Passive infrared presence detector for ceiling mounting
- Round detection area 360°, up to Ø 24 m (452 m²)
- 2 channel light and 2 channel presence
- 2 channel light C1, C2 with 1 light measurement
- 2 presence channels can be parametrized individually
- Adaptable 1 channel light measurement
- Mixed light measurement suitable for LEDs, fluorescent lamps (FL/PL/ESL) and halogen/incandescent lamps
- Can be used as fully or semi-automatic, switchable
- Switch or constant light control mode with stand-by function
- Dimmable lighting in switch mode with stand-by function
- Brightness switching value or set point value can be set in lux using parameters, on the device itself or via remote control
- Teaching in of the brightness switching value or the set point value
- Room correction factor setting for brightness measurement calibration
- Light time delay can be set using parameters, on the device itself or via remote control
- Switch on delay and time delay for presence can be set
- Detection sensitivity can be set
- Reduced time delay in the event of a shorter stay in the room (short presence)
- Scenario functions
- Test mode for checking function and detection range
- Sensitivity adjustable
- Detection area can be limited using cover clip
- Manual override using telegram or remote control
- Parallel switching of several detectors in Master/Slave or Master/Master possible
- Ceiling installation in flush-mounted socket
- Ceiling installation also possible with surface-mounted frame
- User remote control and management-remote control (optional)



theRonda P360 KNX UP WH

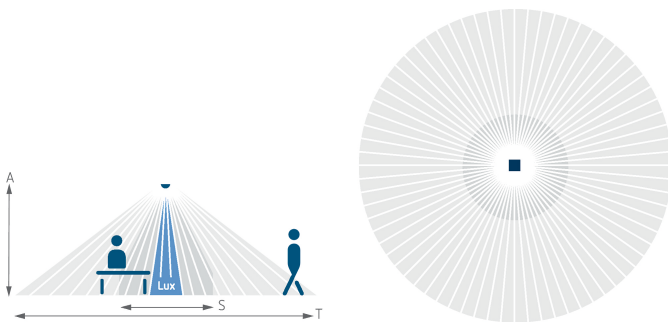
Item no.: 2089000

Technical data

theRonda P360 KNX UP WH		theRonda P360 KNX UP WH	
Installation height	2 – 10 m	Lamps	Energy saving lamps, fluorescent lamps, Incandescent / halogen lamps, LEDs
Maximum height	15 m	Light measurement	Mixed light measurement
Minimum height	> 1,7 m	Presence switch-off delay	10 s - 120 min
Measuring range brightness	30 – 3000 lx	Switch-on delay presence	10 s – 30 min / inactive
Detection angle	360°	Ambient temperature	-15°C ... 50°C
Type of connection	KNX bus terminal	Detection range	452 m ² (ø 24 m 360°)
Installation type	Ceiling installation	Colour	White
Light switch-off delay	30 s – 60 min	Type of protection	IP 54 (when fitted)

Detection range for planning applications

Mounting height (A)	Sitting (S)	Diagonally (T)	Head on to (R)
2 m	16 m ² 4.5 m	380 m ² 22 m	28 m ² 6 m
2.5 m	24 m ² 5.5 m	415 m ² 23 m	38 m ² 7 m
3 m	28 m ² 6 m	452 m ² 24 m	50 m ² 8 m
3.5 m	38 m ² 7 m	452 m ² 24 m	50 m ² 8 m
6 m		452 m ² 24 m	50 m ² 8 m
10 m		491 m ² 25 m	50 m ² 8 m



Detection range according to Sensnorm IEC 63180

Mounting height (A)	Diagonally (T)	Head on to (R)	Sitting (S)
2.5 m	434 m ² 23.5 m	55 m ² 8.4 m	50 m ² 8 m
10 m	707 m ² 30 m	79 m ² 10 m	
15 m	616 m ² 28 m	141 m ² 13.4 m	

Subject to technical changes and misprints

additional information at: www.theben.de/product/2089000

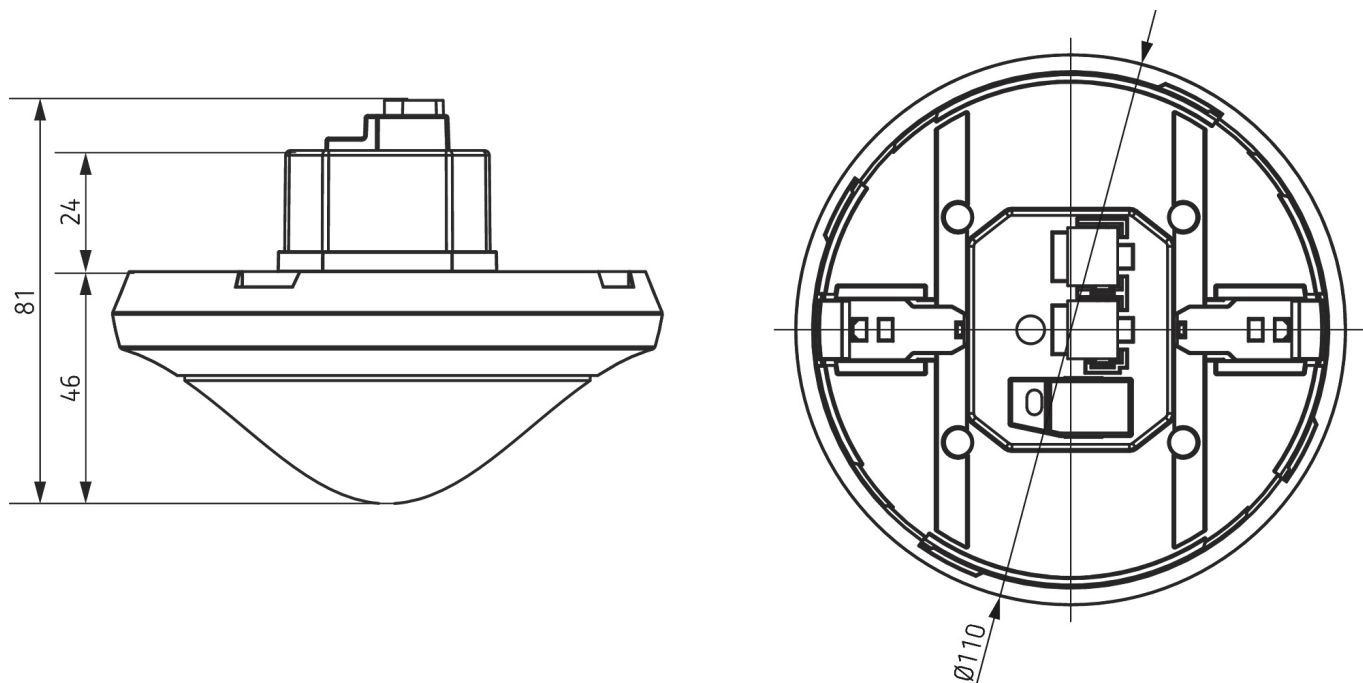
The load data are determined with exemplary selected illuminants and are therefore typical data due to the large number of available products.

theRonda P360 KNX UP WH

Item no.: 2089000

theben
energy saving comfort

Scale drawings



Accessories

theSenda P
Item no.: 9070910



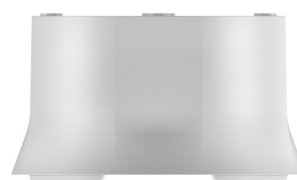
theSenda S
Item no.: 9070911



Ceiling installation box 73A
Item no.: 9070917



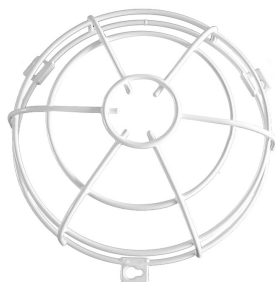
Surface frame 110A WH
Item no.: 9070912



Masking clip
Item no.: 9070921



QuickSafe
Item no.: 9070531



theSenda B
Item no.: 9070985



Cover 110 GR
Item no.: 9070591



Subject to technical changes and misprints

additional information at: www.theben.de/product/2089000

The load data are determined with exemplary selected illuminants and are therefore typical data due to the large number of available products.

theRonda P360 KNX UP WH

Item no.: 2089000

Accessories

Ceiling installation box 68A

Item no.: 9070992

